

Hydraulic Crimping Tools

เครื่องมือทางกลไฮดรอลิก

Hydraulic Crimping Tool is a professional tool for crimping lugs, Terminals and conductors on cable. We are warranty 12 months from the time of delivery under proper operation.

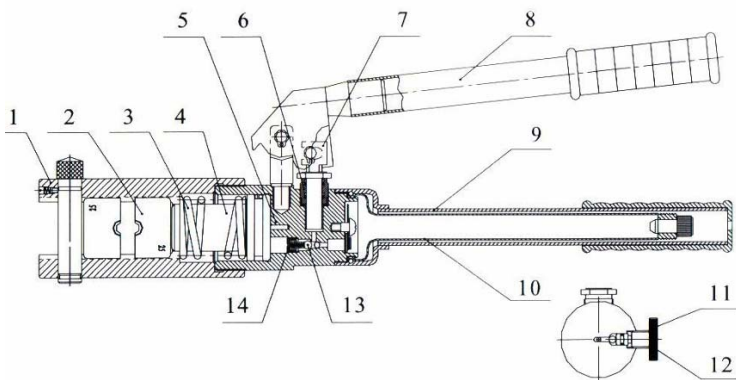
Model	YYQ-120	YQK-300
Crimping rang (Copper)	10-120 mm ²	16-300 mm ²
Crimping rang (Aluminum)	10-95 mm ²	16-240 mm ²
Max Pressure	12 Ton	16 Ton
Weight	2.5 kg	4.5 kg
Hexagon Dies	10,16,25,35,50,70,95,120 mm ²	16,25,35,50,70,95,120,150,185,240,300 mm ²

We can supply kinds of hydraulic crimping tools with excellent quality and competitive prices.

Accessories: 4, 6, 8, 10, 16, 25, 35, 50, 70, 95, 120, 150, 185, 240, 300mm²

Description of unit consisting of...

1. Hand of tool Made from steel
2. Steel Dies with chromium
3. Piston
4. Oil return spring
5. Vat body
6. Stand
7. Cartridge
8. Movable handle
9. Flexed handle
10. Oil pipe
11. Turn Screw
12. Plug
13. Steel Ball
14. Valve



Picture Show
Model : YYQ-120

