

Inverter MICROMASTER 440



4/2	Description
4/4	Circuit diagrams
4/6	Technical data
4/9	Selection and ordering data
4/12	Options
4/24	Dimension drawings

Description



Applications

The MICROMASTER 440 inverter is suitable for a variety of variable-speed drive applications. Its flexibility provides for a wide spectrum of applications. These also include cranes and hoisting gear, high-bay warehouses, production machines for food, beverages and tobacco, packaging machines etc.; i.e. applications which require the frequency inverter to have a higher functionality and dynamic response than usual.

The inverter is especially characterized by its customer-oriented performance and ease-of-use. Its large mains voltage range enables it to be used all over the world.

Design

The MICROMASTER 440 inverter has a modular design. The operator panels and modules can be easily exchanged.

International standards

- The MICROMASTER 440 inverter complies with the requirements of the EU low-voltage guideline
- The MICROMASTER 440 inverter has the **CE** marking
- acc. to **®** and **c®** certified
- c-tick **Ⓢ**

Note:

- See Appendix for standards.

Main characteristics

- Easy, guided start-up
- Modular construction allows maximum configuration flexibility
- Six programmable isolated digital inputs
- Two scaleable analog inputs (0 V to 10 V, 0 mA to 20 mA) can also be used as a 7th/8th digital input
- Two programmable analog outputs (0 mA to 20 mA)
- Three programmable relay outputs (30 V DC/5 A resistive load; 250 V AC/2A inductive load)
- Low-noise motor operation thanks to high pulse frequencies, adjustable (observe derating if necessary)
- Complete protection for motor and inverter.

Options (overview)

- EMC filter, Class A/B
- LC filter
- Line commutating chokes
- Output chokes
- Gland plates
- Basic Operator Panel (BOP) for parameterizing the inverter
- Plain text Advanced Operator Panel (AOP) with multi-language display
- Plain text Asian Advanced Operator Panel (AAOP) with Chinese and English display
- Communication modules
 - PROFIBUS
 - DeviceNet
 - CANopen
- Pulse encoder evaluation module
- PC connection kits
- Mounting kits for installing the operator panels in the control cabinet doors
- PC start-up tools executable under Windows 95/98 and NT/2000/XP Professional.
- TIA integration with Drive ES

Mechanical features

- Modular design
- Operating temperature
0.12 kW to 75 kW:
-10 °C to +50 °C
(+14 °F to +122 °F)
90 kW to 200 kW:
0 °C to +40 °C
(+32 °F to +104 °F)
- Compact housing as a result of high power density
- Easy cable connection, mains and motor connections are separated for optimum electromagnetic compatibility
- Detachable operator panels
- Screwless control terminals on detachable I/O board.

Performance features

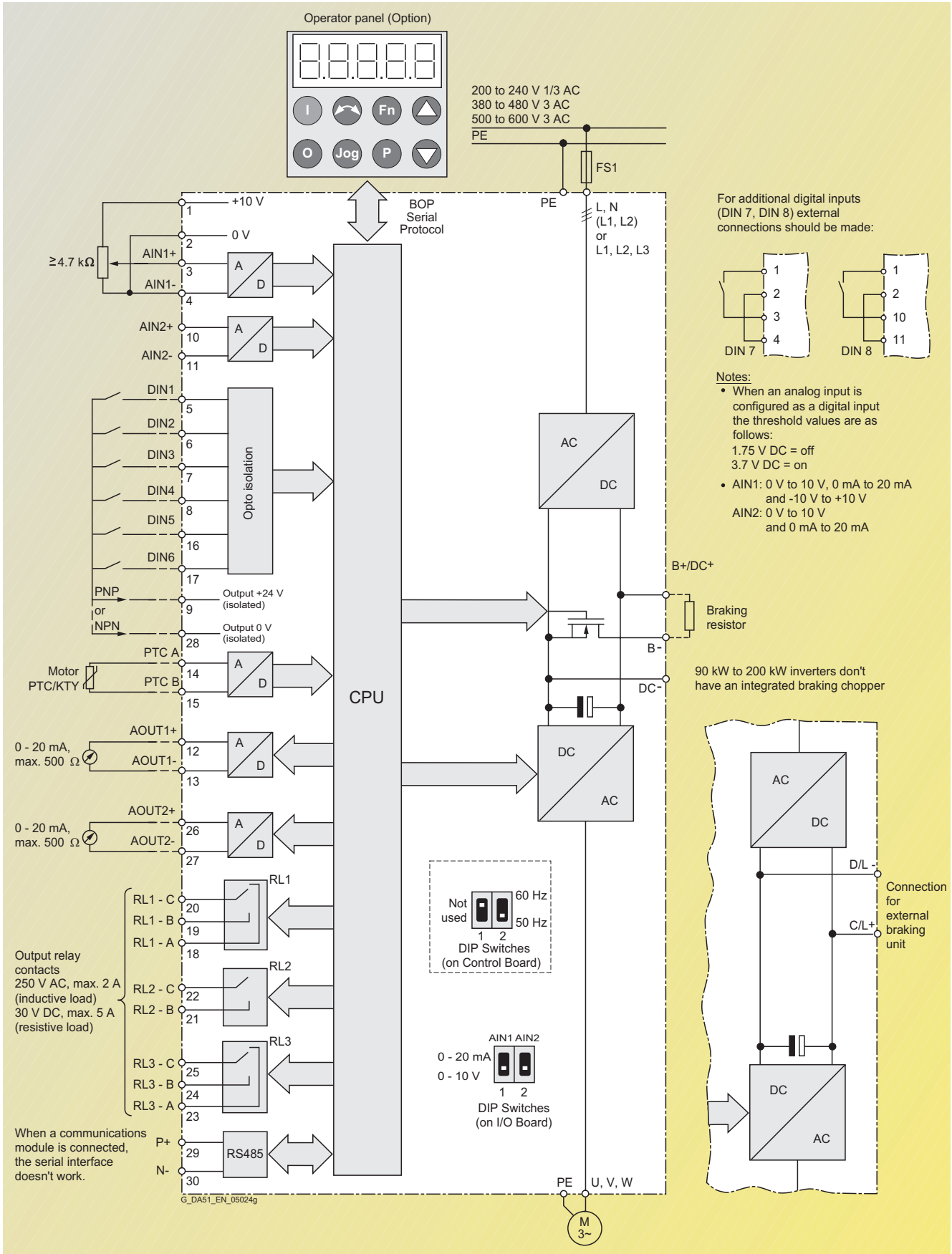
- Latest IGBT technology
- Digital microprocessor control
- High-quality Vector Control system
- Flux Current Control (FCC) for improved dynamic response and optimized motor control
- Linear V/f characteristic
- Quadratic V/f characteristic
- Multipoint characteristic (programmable V/f characteristic)
- Torque control
- Flying restart
- Slip compensation
- Automatic restart following mains failure or fault
- User-definable function blocks for logic and arithmetic operations
- Kinetic buffering
- Positioning ramp down
- High-grade PID controller for simple internal process control (autotuning)
- Programmable acceleration/deceleration, 0 s to 650 s
- Ramp smoothing
- Fast Current Limit (FCL) for trip-free operation
- Fast, repeatable digital input response time
- Fine adjustment using two high-resolution 10-bit analog inputs
- Compound braking for controlled rapid braking
- Integrated brake chopper (for 0.12 kW to 75 kW inverters)
- Four skip frequencies
- Removable "Y" capacitor for use on IT systems (with non-grounded mains supplies, the "Y" capacitor must be removed and an output choke installed).

Protection features

- Overload capability
 - **CT mode**
0.12 kW to 75 kW:
Overload current 1.5 x rated output current (i.e. 150 % overload capability) for 60 s, cycle time 300 s, and 2 x rated output current (i.e. 200 % overload capability) for 3 s, cycle time 300 s
 - 90 kW to 200 kW:
Overload current 1.36 x rated output current (i.e. 136 % overload capability) for 57 s, cycle time 300 s, and 1.6 x rated output current (i.e. 160 % overload capability) for 3 s, cycle time 300 s
 - **VT mode**
5.5 kW to 90 kW:
Overload current 1.4 x rated output current (i.e. 140 % overload capability) for 3 s, and 1.1 x rated output current (i.e. 110 % overload capability) for 60 s, cycle time 300 s
 - 110 kW to 250 kW:
Overload current 1.5 x rated output current (i.e. 150 % overload capability) for 1 s, and 1.1 x rated output current (i.e. 110 % overload capability) for 59 s, cycle time 300 s
- Overvoltage/undervoltage protection
- Inverter overtemperature protection
- Special direct connection for PTC or KTY to protect the motor
- Earth fault protection
- Short-circuit protection
- βt motor thermal protection
- Locked motor protection
- Stall prevention
- Parameter interlock.

Circuit diagrams

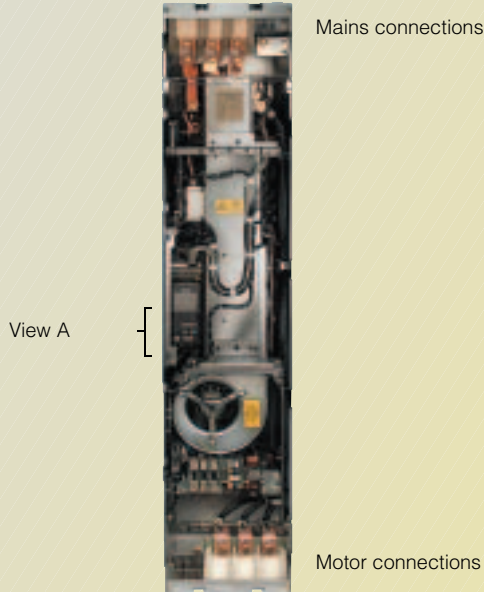
General circuit diagram



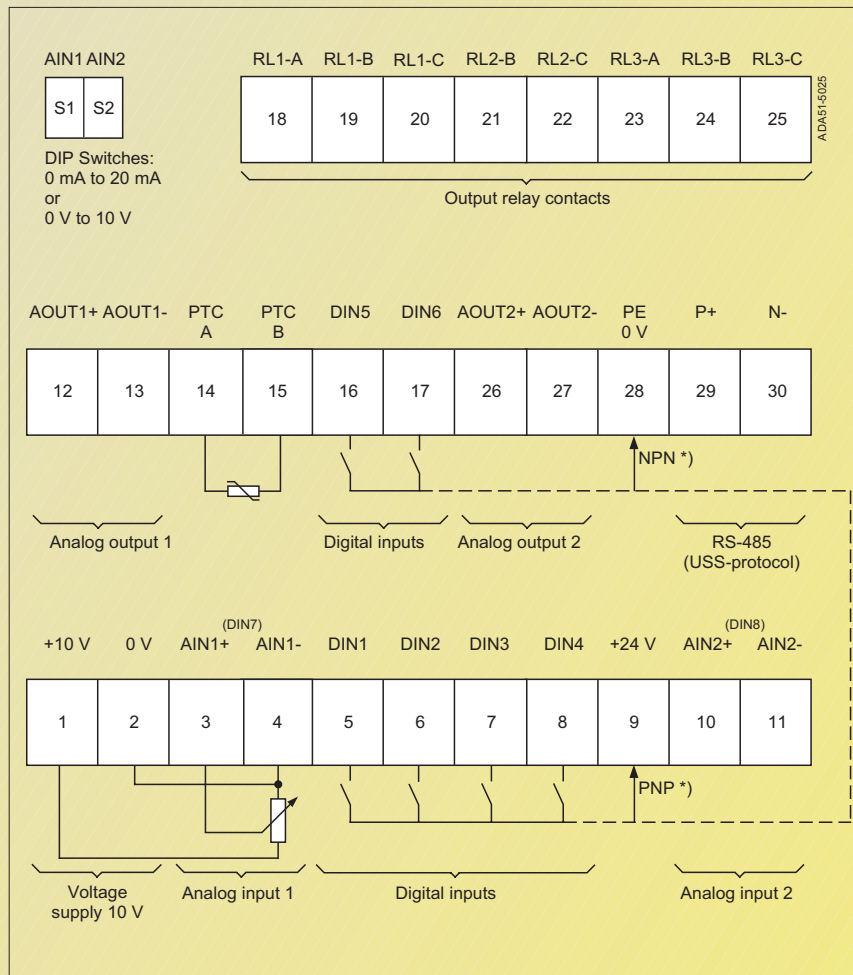
4

Terminal connection diagram

Example, frame size FX



View A



*) PNP or NPN possible

Technical data

MICROMASTER 440 inverter

Mains voltage and power ranges	1 AC 200 V to 240 V ± 10 % 3 AC 200 V to 240 V ± 10 % 3 AC 380 V to 480 V ± 10 % 3 AC 500 V to 600 V ± 10 %	CT (constant torque) 0.12 kW to 3 kW 0.12 kW to 45 kW 0.37 kW to 200 kW 0.75 kW to 75 kW	VT (variable torque) – 5.5 kW to 45 kW 7.5 kW to 250 kW 1.5 kW to 90 kW
Input frequency	47 Hz to 63 Hz		
Output frequency	0.12 kW to 75 kW 90 kW to 200 kW	0 Hz to 650 Hz (in <i>V/f</i> mode) 0 Hz to 267 Hz (in <i>V/f</i> mode)	0 Hz to 200 Hz (in vector mode) 0 Hz to 200 Hz (in vector mode)
Power factor	≥ 0.95		
Inverter efficiency	96 % to 97 %		
Overload capability – CT mode	0.12 kW to 75 kW 90 kW to 200 kW	Overload current 1.5 x rated output current (i.e. 150 % overload capability) for 60 s, cycle time 300 s and 2 x rated output current (i.e. 200 % overload capability) for 3 s, cycle time 300 s Overload current 1.36 x rated output current (i.e. 136 % overload capability) for 57 s, cycle time 300 s and 1.6 x rated output current (i.e. 160 % overload capability) for 3 s, cycle time 300 s	
– VT mode	5.5 kW to 90 kW 110 kW to 250 kW	Overload current 1.4 x rated output current (i.e. 140% overload capability) for 3 s, and 1.1 x rated output current (i.e. 110 % overload capability) for 60 s, cycle time 300 s Overload current 1.5 x rated output current (i.e. 150 % overload capability) for 1 s, and 1.1 x rated output current (i.e. 110 % overload capability) for 59 s, cycle time 300 s	
Inrush current	not higher than rated input current		
Control method	Vector control, torque control, linear <i>V/f</i> characteristic; quadratic <i>V/f</i> characteristic; Multipoint characteristic (programmable <i>V/f</i> characteristic); flux current control (FCC)		
Pulse frequency	0.12 kW to 75 kW 90 kW to 200 kW	4 kHz (standard); 16 kHz (standard with 230 V inverters 0.12 kW to 5.5 kW) 2 kHz to 16 kHz (in 2 kHz steps) 2 kHz (standard with VT mode); 4 kHz (standard with CT mode) 2 kHz to 4 kHz (in 2 kHz steps)	
Fixed frequencies	15, programmable		
Skip frequency ranges	4, programmable		
Setpoint resolution	0.01 Hz digital 0.01 Hz serial 10 bit analog		
Digital inputs	6 fully programmable isolated digital inputs; switchable PNP/NPN		
Analog inputs	2 programmable analog inputs • 0 V to 10 V, 0 mA to 20 mA and –10 V to +10 V (AIN1) • 0 V to 10 V and 0 mA to 20 mA (AIN2) • both can be used as 7th/8th digital input		
Relay outputs	3, programmable, 30 V DC/5 A (resistive load); 250 V AC/2A (inductive load)		
Analog outputs	2, programmable (0/4 mA to 20 mA)		
Serial interfaces	RS-485, optional RS-232		
Motor cable lengths without output choke	0.12 – 75 kW	max. 50 m (shielded), max. 100 m (unshielded)	
with output choke	90 – 250 kW	max. 100 m (shielded), max. 150 m (unshielded) (see variant dependent options)	
Electromagnetic compatibility (see Selection and Ordering Data)	EMC filter, Class A or Class B to EN 55 011 available as an option Inverter with internal filter Class A available		
Braking	Resistance braking with DC braking, compound braking, integrated brake chopper (integrated brake chopper only with 0.12 kW to 75 kW inverters)		
Degree of protection	IP20		
Operating temperature (without derating)	0.12 kW to 75 kW 90 kW to 200 kW	CT: –10 °C to +122.00 °F (+14 °F to +122 °F) VT: –10 °C to +40 °C (+14 °F to +104 °F) 0 °C to +40 °C (+32 °F to +104 °F)	
Storage temperature	–40 °C to +70 °C (–40 °F to +158 °F)		
Relative humidity	95% (non-condensing)		
Installation altitude	0.12 kW to 75 kW 90 kW to 200 kW	up to 1000 m above sea level without derating up to 2000 m above sea level without derating	
Protection features for	Undervoltage, overvoltage, overload, earth faults, short-circuits, stall prevention, locked motor protection, motor over-temperature, inverter overtemperature, parameter change protection		
Compliance with standards	Ⓜ, cⓂ, CE, c-tick		
CE marking	Conformity with low-voltage directive 73/23/EEC		
Dimensions and weights (without options)	Frame size (FS)	H x W x D, max. (mm)	Weight, approx. (kg)
	A	173 x 73 x 149	1.3
	B	202 x 149 x 172	3.4
	C	245 x 185 x 195	5.7
	D	520 x 275 x 245	17
	E	650 x 275 x 245	22
	F without filter	850 x 350 x 320	56
	F with filter	1150 x 350 x 320	75
	FX	1400 x 326 x 356	116
	GX	1533 x 326 x 545	176

Derating data
Pulse frequency

Output kW	Rated output current in A for a pulse frequency of						
	4 kHz	6 kHz	8 kHz	10 kHz	12 kHz	14 kHz	16 kHz

Mains voltage 1/3 AC 200 V

0.12 to 5.5	Values correspond to the 4 kHz standard values. No derating, since 16 kHz standard.						
7.5	28.0	26.6	25.2	22.4	19.6	16.8	14.0
11	42.0	37.8	33.6	29.4	25.2	21.0	16.8
15	54.0	48.6	43.2	37.8	32.4	27.0	21.6
18.5	68.0	64.6	61.2	54.4	47.6	40.8	34.0
22	80.0	72.0	64.0	56.0	48.0	40.0	32.0
30	104.0	91.0	78.0	70.2	62.4	57.2	52.0
37	130.0	113.8	97.5	87.8	78.0	71.5	65.0
45	154.0	134.8	115.5	104.0	92.4	84.7	77.0

Mains operating voltage 3 AC 400 V

0.37	1.3	1.3	1.3	1.3	1.3	1.2	1.0
0.55	1.7	1.7	1.7	1.6	1.5	1.4	1.2
0.75	2.2	2.2	2.2	2.0	1.8	1.5	1.3
1.1	3.1	2.9	2.8	2.5	2.2	1.9	1.6
1.5	4.1	3.7	3.3	2.9	2.5	2.1	1.6
2.2	5.9	5.6	5.3	4.7	4.1	3.5	3.0
3.0	7.7	6.9	6.2	5.4	4.6	3.9	3.1
4.0	10.2	9.2	8.2	7.1	6.1	5.1	4.1
5.5	13.2	11.9	10.6	9.2	7.9	6.6	5.3
7.5	19.0	18.1	17.1	15.2	13.3	11.4	9.5
11.0	26.0	23.4	20.8	18.2	15.6	13.0	10.4
15.0	32.0	30.4	28.8	25.6	22.4	19.2	16.0
18.5	38.0	34.2	30.4	26.6	22.8	19.0	15.2
22	45.0	40.5	36.0	31.5	27.0	22.5	18.0
30	62.0	58.9	55.8	49.6	43.4	37.2	31.0
37	75.0	67.5	60.0	52.5	45.0	37.5	30.0
45	90.0	76.5	63.0	51.8	40.5	33.8	27.0
55	110.0	93.5	77.0	63.3	49.5	41.3	33.0
75	145.0	112.4	79.8	68.9	58.0	50.8	43.5
90	178.0	-	-	-	-	-	-
110	205.0	-	-	-	-	-	-
132	250.0	-	-	-	-	-	-
160	302.0	-	-	-	-	-	-
200	370.0	-	-	-	-	-	-

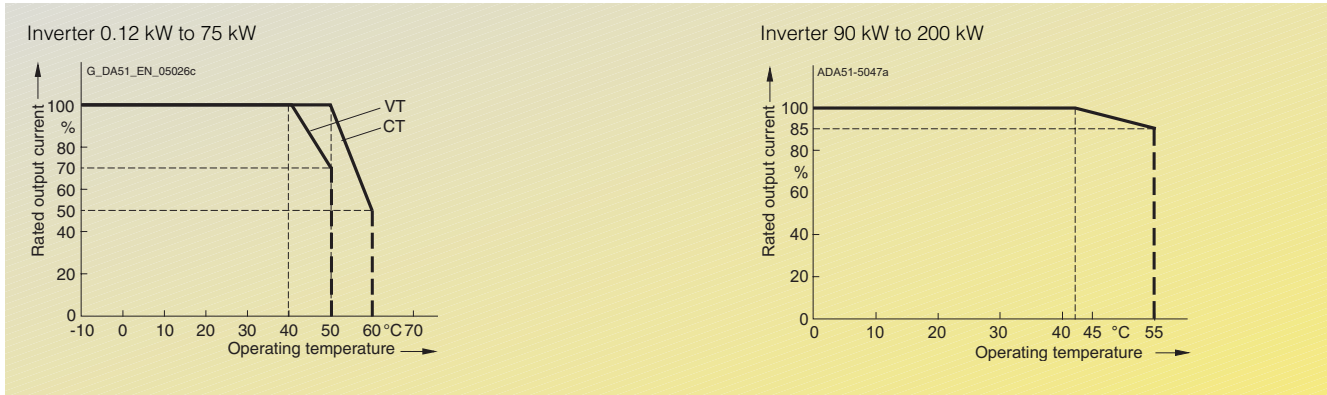
Mains operating voltage 3 AC 500 V

0.75	1.4	1.2	1.0	0.8	0.7	0.6	0.6
1.5	2.7	2.2	1.6	1.4	1.1	0.9	0.8
2.2	3.9	2.9	2.0	1.6	1.2	1.0	0.8
4.0	6.1	4.6	3.1	2.4	1.8	1.5	1.2
5.5	9.0	6.8	4.5	3.6	2.7	2.3	1.8
7.5	11.0	8.8	6.6	5.5	4.4	3.9	3.3
11.0	17.0	12.8	8.5	6.8	5.1	4.3	3.4
15.0	22.0	17.6	13.2	11.0	8.8	7.7	6.6
18.5	27.0	20.3	13.5	10.8	8.1	6.8	5.4
22	32.0	24.0	16.0	12.8	9.6	8.0	6.4
30	41.0	32.8	24.6	20.5	16.4	14.4	12.3
37	52.0	39.0	26.0	20.8	15.6	13.0	10.4
45	62.0	52.7	43.4	40.3	37.2	32.6	27.9
55	77.0	67.4	57.8	52.0	46.2	42.4	38.5
75	99.0	84.2	69.3	64.4	59.4	52.0	44.6

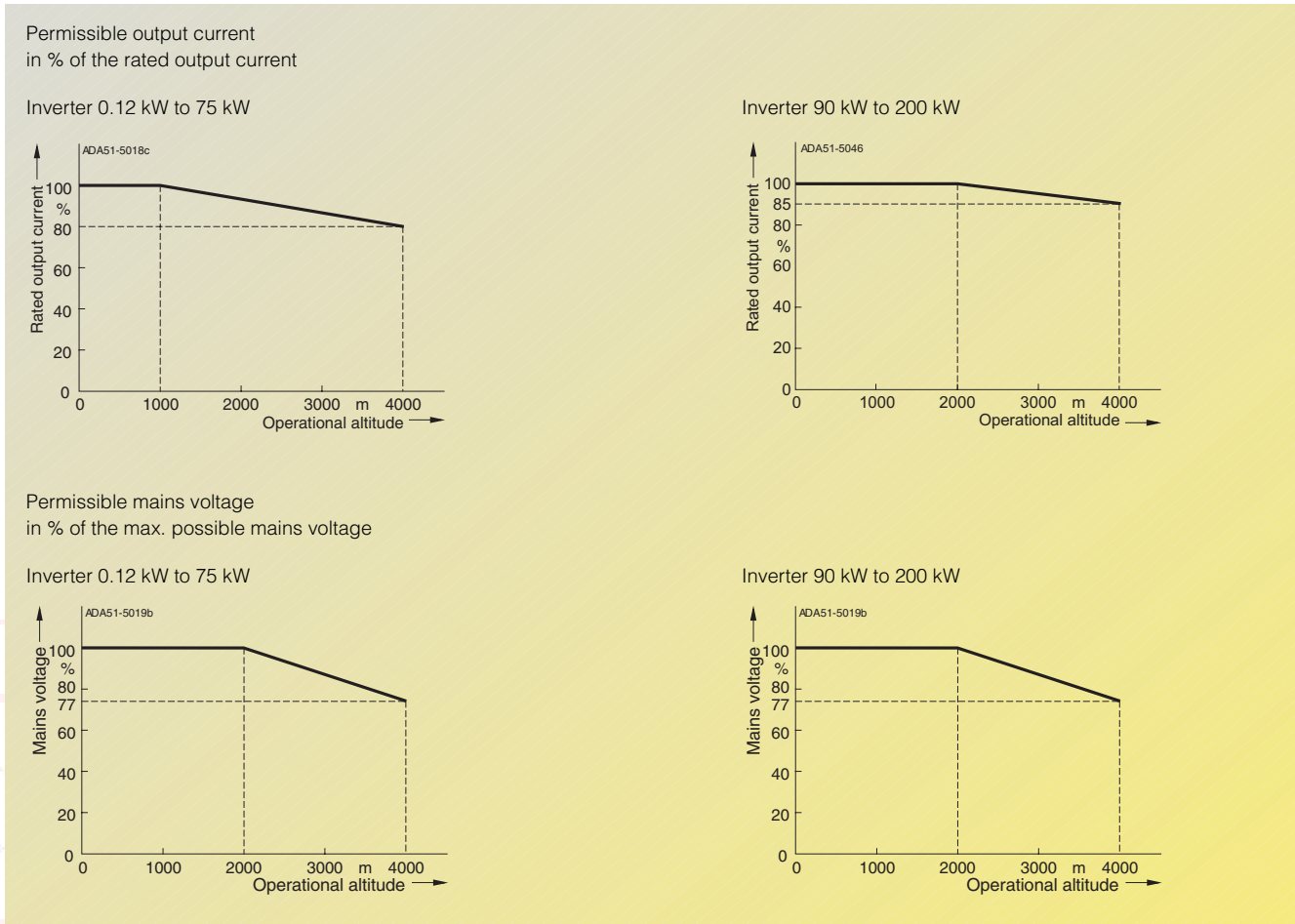
Technical data

Derating data (continued)

Operating temperature



Installation height above sea level



4

MICROMASTER 440 inverter without filter²⁾

CT (constant torque)				VT (variable torque)				MICROMASTER 440 without filter ²⁾		
Output		Rated input current ¹⁾	Rated output current	Output		Rated input current ¹⁾	Rated output current	Frame size (FS)	Weight, approx. kg	Order No.
kW	hp	A	A	kW	hp	A	A			
Mains voltage 1 AC 200 V to 240 V										
0.12	0.16	2.3	0.9	-	-	-	-	A	1.3	6SE6440-2UC11-2AA1
0.25	0.33	4.3	1.7	-	-	-	-	A	1.3	6SE6440-2UC12-5AA1
0.37	0.50	5.9	2.3	-	-	-	-	A	1.3	6SE6440-2UC13-7AA1
0.55	0.75	7.7	3.0	-	-	-	-	A	1.3	6SE6440-2UC15-5AA1
0.75	1.0	10.1	3.9	-	-	-	-	A	1.3	6SE6440-2UC17-5AA1
1.1	1.5	15.0	5.5	-	-	-	-	B	3.3	6SE6440-2UC21-1BA1
1.5	2	18.6	7.4	-	-	-	-	B	3.3	6SE6440-2UC21-5BA1
2.2	3	26.8	10.4	-	-	-	-	B	3.3	6SE6440-2UC22-2BA1
3.0	4	35.9	13.6	-	-	-	-	C	5.5	6SE6440-2UC23-0CA1
Mains operating voltage 3 AC 200 V to 240 V										
0.12	0.16	1.1	0.9	-	-	-	-	A	1.3	6SE6440-2UC11-2AA1
0.25	0.33	2.2	1.7	-	-	-	-	A	1.3	6SE6440-2UC12-5AA1
0.37	0.50	3.0	2.3	-	-	-	-	A	1.3	6SE6440-2UC13-7AA1
0.55	0.75	3.9	3.0	-	-	-	-	A	1.3	6SE6440-2UC15-5AA1
0.75	1.0	5.2	3.9	-	-	-	-	A	1.3	6SE6440-2UC17-5AA1
1.1	1.5	7.6	5.5	-	-	-	-	B	3.3	6SE6440-2UC21-1BA1
1.5	2.0	10.2	7.4	-	-	-	-	B	3.3	6SE6440-2UC21-5BA1
2.2	3.0	14.1	10.4	-	-	-	-	B	3.3	6SE6440-2UC22-2BA1
3.0	4.0	18.4	13.6	-	-	-	-	C	5.5	6SE6440-2UC23-0CA1
4.0	5.0	23.3	17.5	5.5	7.5	28.3	22	C	5.5	6SE6440-2UC24-0CA1
5.5	7.5	28.0	22	7.5	10	34.2	28	C	5.5	6SE6440-2UC25-5CA1
7.5	10	34.0	28	11.0	15	48.7	42	D	16	6SE6440-2UC27-5DA1
11.0	15	50.6	42	15.0	20	63.1	54	D	16	6SE6440-2UC31-1DA1
15.0	20	64.9	54	18.5	25	80.2	68	D	16	6SE6440-2UC31-5DA1
18.5	25	83.0	68	22	30	96.0	80	E	20	6SE6440-2UC31-8EA1
22	30	100.0	80	30	40	127.0	104	E	20	6SE6440-2UC31-8EA1
30	40	140.0	104	37	50	171.0	130	F	55	6SE6440-2UC33-0FA1
37	50	177.0	130	45	60	206.0	154	F	55	6SE6440-2UC33-7FA1
45	60	204.0	154	-	-	-	-	F	55	6SE6440-2UC34-5FA1
Mains operating voltage 3 AC 380 V to 480 V										
0.37	0.50	1.5	1.3	-	-	-	-	A	1.3	6SE6440-2UD13-7AA1
0.55	0.75	1.9	1.7	-	-	-	-	A	1.3	6SE6440-2UD15-5AA1
0.75	1.0	2.4	2.2	-	-	-	-	A	1.3	6SE6440-2UD17-5AA1
1.1	1.5	3.7	3.1	-	-	-	-	A	1.3	6SE6440-2UD21-1AA1
1.5	2.0	4.8	4.1	-	-	-	-	A	1.3	6SE6440-2UD21-5AA1
2.2	3.0	6.5	5.9	-	-	-	-	B	3.3	6SE6440-2UD22-2BA1
3.0	4.0	8.6	7.7	-	-	-	-	B	3.3	6SE6440-2UD23-0BA1
4.0	5.0	11.6	10.2	-	-	-	-	B	3.3	6SE6440-2UD24-0BA1
5.5	7.5	15.6	13.2	7.5	10	20.2	19	C	5.5	6SE6440-2UD25-5CA1
7.5	10	22.0	19	11.0	15	29.0	26	C	5.5	6SE6440-2UD27-5CA1
11.0	15	32.3	26	15.0	20	39.0	32	C	5.5	6SE6440-2UD31-1CA1
15.0	20	38.5	32	18.5	25	45.2	38	D	16	6SE6440-2UD31-5DA1
18.5	25	47.1	38	22	30	54.7	45	D	16	6SE6440-2UD31-8DA1
22	30	56.3	45	30	40	74.8	62	D	16	6SE6440-2UD32-2DA1
30	40	78.0	62	37	50	91.0	75	E	20	6SE6440-2UD33-0EA1
37	50	95.0	75	45	60	111.0	90	E	20	6SE6440-2UD33-7EA1
45	60	122.0	90	55	75	143.0	110	F	56	6SE6440-2UD34-5FA1
55	75	148.0	110	75	100	190.0	145	F	56	6SE6440-2UD35-5FA1
75	100	188.0	145	90	125	223.0	178	F	56	6SE6440-2UD37-5FA1

1) Supplementary conditions:
 Input current at rated operating point, applicable at short-circuit voltage of the supply $U_{sc} = 1\%$ with reference to the inverter rated power and rated mains operating voltage of 240 V or 400 V without a line commutating choke.

When a line commutating choke is used, the specified values are reduced in the case of 200 V–240 V to between 55% to 70% and in the case of 380 V–480 V to between 70% and 80%.

2) Generally suited to heavy industrial applications. For details please refer to Appendix on page A/4.

Selection and ordering data

MICROMASTER 440 inverter without filter³⁾ (continued)

CT (constant torque)				VT (variable torque)				MICROMASTER 440 without filter ³⁾		
Output		Rated input current	Rated output current	Output		Rated input current	Rated output current	Frame size (FS)	Weight, approx. kg	Order No.
kW	hp	A	A	kW	hp	A	A			
Mains operating voltage 3 AC 380 V to 480 V										
90	125	168.5 ¹⁾	178	110	150	204.5 ¹⁾	205	FX	110	6SE6440-2UD38-8FA1
110	150	204.0 ¹⁾	205	132	200	244.5 ¹⁾	250	FX	116	6SE6440-2UD41-1FA1
132	200	244.5 ¹⁾	250	160	250	296.4 ¹⁾	302	GX	170	6SE6440-2UD41-3GA1
160	250	296.4 ¹⁾	302	200	300	354.0 ¹⁾	370	GX	174	6SE6440-2UD41-6GA1
200	300	354.0 ¹⁾	370	250	350	442.0 ¹⁾	477	GX	176	6SE6440-2UD42-0GA1
Mains operating voltage 3 AC 500 V to 600 V										
0.75	1.0	2.0 ²⁾	1.4	1.5	2.0	3.8 ²⁾	2.7	C	5.5	6SE6440-2UE17-5CA1
1.5	2.0	3.7 ²⁾	2.7	2.2	3.0	5.3 ²⁾	3.9	C	5.5	6SE6440-2UE21-5CA1
2.2	3.0	5.3 ²⁾	3.9	4.0	5.0	8.2 ²⁾	6.1	C	5.5	6SE6440-2UE22-2CA1
4.0	5.0	8.1 ²⁾	6.1	5.5	7.5	11.2 ²⁾	9	C	5.5	6SE6440-2UE24-0CA1
5.5	7.5	11.1 ²⁾	9	7.5	10	13.3 ²⁾	11	C	5.5	6SE6440-2UE25-5CA1
7.5	10	14.4 ²⁾	11	11.0	15	21.7 ²⁾	17	C	5.5	6SE6440-2UE27-5CA1
11.0	15	21.5 ²⁾	17	15.0	20	26.8 ²⁾	22	C	5.5	6SE6440-2UE31-1CA1
15.0	20	27.6 ²⁾	22	18.5	25	32.7 ²⁾	27	D	16	6SE6440-2UE31-5DA1
18.5	25	33.6 ²⁾	27	22	30	39.9 ²⁾	32	D	16	6SE6440-2UE31-8DA1
22	30	40.1 ²⁾	32	30	40	50.5 ²⁾	41	D	16	6SE6440-2UE32-2DA1
30	40	52.0 ²⁾	41	37	50	64.0 ²⁾	52	E	20	6SE6440-2UE33-0EA1
37	50	67.0 ²⁾	52	45	60	78.0 ²⁾	62	E	20	6SE6440-2UE33-7EA1
45	60	85.0 ²⁾	62	55	75	103.0 ²⁾	77	F	56	6SE6440-2UE34-5FA1
55	75	106.0 ²⁾	77	75	100	132.0 ²⁾	99	F	56	6SE6440-2UE35-5FA1
75	100	130.0 ²⁾	99	90	120	160.0 ²⁾	125	F	56	6SE6440-2UE37-5FA1



See Appendix for note on ordering.

All MICROMASTER 440 inverters are supplied with a Status Display Panel (SDP). A BOP, AOP or other options have to be ordered separately (see Pages 4/14 to 4/20).

Motors for MICROMASTER 440

Catalog M 11 contains selection and ordering data for motors which are particularly suitable for operation with the MICROMASTER 440 inverters (see Appendix for overview).

This catalog is suitable for IEC motors. For motors according to US standards (NEMA) please refer to:
<http://www.sea.siemens.com/motors>

1) Supplementary conditions:
Input current at rated operating point, applicable at short-circuit voltage of the supply $U_{sc} \geq 2.33\%$ with reference to the inverter rated power and rated mains operating voltage of 400 V.

2) Supplementary conditions:
Input current at rated operating point, applicable at short-circuit voltage of the supply $U_{sc} = 1\%$ with reference to the inverter rated power and rated mains operating voltage of 500 V without a line commutating choke.

If a line commutating choke is used, the specified values at 500 V to 600 V are reduced to between 80% and 90%.

3) Generally suited to heavy industrial applications. For details please refer to Appendix on page A/4.

MICROMASTER 440 inverter with internal filter Class A

CT (constant torque)				VT (variable torque)				MICROMASTER 440 with internal filter Class A ²⁾		
Output		Rated input current ¹⁾	Rated output current	Output		Rated input current ¹⁾	Rated output current	Frame size (FS)	Weight, approx.	Order No.
kW	hp	A	A	kW	hp	A	A		kg	

Mains operating voltage 1 AC 200 V to 240 V

0.12	0.16	2.3	0.9	–	–	–	–	A	1.3	6SE6440-2AB11-2AA1
0.25	0.33	4.3	1.7	–	–	–	–	A	1.3	6SE6440-2AB12-5AA1
0.37	0.50	5.9	2.3	–	–	–	–	A	1.3	6SE6440-2AB13-7AA1
0.55	0.75	7.7	3.0	–	–	–	–	A	1.3	6SE6440-2AB15-5AA1
0.75	1.0	10.1	3.9	–	–	–	–	A	1.3	6SE6440-2AB17-5AA1
1.1	1.5	15.0	5.5	–	–	–	–	B	3.4	6SE6440-2AB21-1BA1
1.5	2	18.6	7.4	–	–	–	–	B	3.4	6SE6440-2AB21-5BA1
2.2	3	26.8	10.4	–	–	–	–	B	3.4	6SE6440-2AB22-2BA1
3.0	4	35.9	13.6	–	–	–	–	C	5.7	6SE6440-2AB23-0CA1

Mains operating voltage 3 AC 200 V to 240 V

3.0	4.0	18.4	13.6	4.0	5.0	21.0	17.5	C	5.7	6SE6440-2AC23-0CA1
4.0	5.0	23.3	17.5	5.5	7.5	28.3	22	C	5.7	6SE6440-2AC24-0CA1
5.5	7.5	28.0	22.0	7.5	10.0	34.2	28	C	5.7	6SE6440-2AC25-5CA1

Mains operating voltage 3 AC 380 V to 480 V

2.2	3.0	6.5	5.9	–	–	–	–	B	3.4	6SE6440-2AD22-2BA1
3.0	4.0	8.6	7.7	–	–	–	–	B	3.4	6SE6440-2AD23-0BA1
4.0	5.0	11.6	10.2	–	–	–	–	B	3.4	6SE6440-2AD24-0BA1
5.5	7.5	15.6	13.2	7.5	10	20.2	19	C	5.7	6SE6440-2AD25-5CA1
7.5	10	22.0	18.4	11.0	15	29.0	26	C	5.7	6SE6440-2AD27-5CA1
11.0	15	32.3	26	15.0	20	39.0	32	C	5.7	6SE6440-2AD31-1CA1
15.0	20	38.5	32	18.5	25	45.2	38	D	17	6SE6440-2AD31-5DA1
18.5	25	47.1	38	22	30	54.7	45	D	17	6SE6440-2AD31-8DA1
22	30	56.3	45	30	40	74.8	62	D	17	6SE6440-2AD32-2DA1
30	40	78.0	62	37	50	91.0	75	E	22	6SE6440-2AD33-0EA1
37	50	95.0	75	45	60	111.0	90	E	22	6SE6440-2AD33-7EA1
45	60	122.0	90	55	75	143.0	110	F	75	6SE6440-2AD34-5FA1
55	75	148.0	110	75	100	190.0	145	F	75	6SE6440-2AD35-5FA1
75	100	188.0	145	90	125	223.0	178	F	75	6SE6440-2AD37-5FA1



See Appendix for note on ordering.

All MICROMASTER 440 inverters are supplied with a Status Display Panel (SDP). A BOP, AOP or other options have to be ordered separately (see Pages 4/14 to 4/20).

Motors for MICROMASTER 440

Catalog M 11 contains selection and ordering data for motors which are particularly suitable for operation with the MICROMASTER 440 inverters (see Appendix for overview).

This catalog is suitable for IEC motors. For motors according to US standards (NEMA) please refer to: <http://www.sea.siemens.com/motors>

1) Supplementary conditions: Input current at rated operating point, applicable at short-circuit voltage of the supply $U_{sc} = 1\%$ with reference to the inverter rated power and rated mains operating voltage of 240 V or 400 V without a line commutating choke.

When a line commutating choke is used, the specified values are reduced in the case of 200 V–240 V to between 55% to 70% and in the case of 380 V–480 V to between 70% and 80%.

2) Use of MICROMASTER inverters with internal filter is not permissible on non-grounded mains supplies.

Options Variant dependent options

Overview

EMC filter, Class A

Filter for inverters without an internal filter for

- 3 AC 200 V to 240 V, frame sizes A and B
- 3 AC 380 V to 480 V, frame size A, FX, GX

Filters for frame sizes FX and GX are only permitted to be used in combination with a line commutating choke.

All other inverters can be supplied with an internal Class A filter.

The requirements are fulfilled using shielded cables with a max. length of 25 m.

EMC filter, Class B

Filter for inverters without an internal filter for

- 3 AC 200 V to 240 V, frame sizes A and B
- 3 AC 380 V to 480 V, frame size A.

The requirements are fulfilled using shielded cables with a max. length of 25 m.

For inverters 15 kW to 75 kW without filters, EMC filters of Class B from Schaffner can be used.

The requirements are fulfilled using shielded cables with a max. length of 25 m to 50 m (depending on the type, details on request).

With this filter, the inverter complies with the emission standard EN 55 011, Class B.

Additional EMC filter, Class B

Available for inverters with an internal Class A EMC filter, frame sizes A, B and C.

The requirements are fulfilled using shielded cables with a max. length of 25 m.

With this filter, the inverter complies with the emission standard EN 55 011, Class B.

Filter Class B with low leakage currents

EMC filter for 1 AC 200 V to 240 V inverters, frame sizes A and B, without an internal EMC filter Class A.

With this filter, the inverter complies with the emission standard EN 55 011, Class B. The leakage currents are reduced to < 3.5 mA.

The requirements are fulfilled using shielded cables with a max. length of 5 m.

Leakage currents:

The leakage currents of the inverters with/without filter (internal/external) may exceed 30 mA. Typical values in practice are between 10 mA and 50 mA. The exact values depend on the design, environment and cable lengths. Interference-free operation with residual current operated devices with a trigger value of 30 mA cannot be guaranteed. However, operation with residual current circuit-breakers with a trigger value of 300 mA is possible. Please refer to the Instruction Manual for details.

LC filter

The LC filter limits the rate of rise of voltage and the capacitive charge/discharge currents which usually occur with inverter operation. This means that much longer shielded motor cables are possible when using LC filters and the service life of the motor achieves values similar to those with direct mains operation. Use of an output choke isn't required with that. The LC filters can be used for all MICROMASTER 440 inverters of frame sizes A to F.

- Frame sizes A and B:
A maximum of two footprint components plus inverter are permissible. The LC filter must be mounted as the lowest component.

- Frame size C:
Only one footprint component is permissible for frame size C. If a line choke and LC filter are used, the line choke must be located on the left of the inverter. Required spacing: 75 mm.
- Frame sizes D to F:
The LC filters, frame sizes D to F, are designed for mounting upright in the control cabinet. Due to leakage flux lines caused by physical sources, a minimum distance of 50 mm to adjacent modules and metal parts is recommended.

Please note when using LC filters:

- Only V/f, FCC control permissible
- Increased inverter load: approx. 10% to 15%
- Operation only permissible with 4 kHz pulse frequency

The output frequency is limited to 150 Hz.

Line commutating choke

Line commutating chokes are used to smooth voltage peaks or to bridge commutating dips. In addition, line commutating chokes reduce the effects of harmonics on the inverter and the power supply. If the line impedance is < 1%, a line commutating choke must be used in order to reduce the current peaks.

In line with EN 61 000-3-2 regulations "Limits for harmonic currents with device input current ≤ 16 A per phase", there are special aspects for drives with 250 W to 550 W and 230 V single-phase supplies which can be used in non-industrial applications (1st environment).

For devices with 250 W and 350 W, it is necessary either to fit the recommended input chokes or to apply to the

power utility company for authorization to connect the devices to the public power supply.

No limits are currently defined in the EN 61 000-3-2 standard for professionally used devices with a connected load > 1 kW which means that the inverters with an output power ≥ 0.75 kW comply with the EN 61 000-3-2 standard.

Output choke

Output chokes can be supplied for reducing the capacitive compensation currents and dV/dt in the case of motor cables > 50 m (shielded) or > 100 m (unshielded).

For max. permissible cable lengths, see the Technical Data.

Brake resistors

The brake resistors are designed for use with the MICROMASTER 440 inverter series, frame sizes A to F, with internal brake chopper and enable loads with a large moment of inertia to be braked quickly. During braking of the motor and the load, excess energy is fed back to the inverter. This causes the voltage to rise in the DC link. The inverter transfers the excess energy to the externally mounted braking resistor.

For MICROMASTER 440 inverters of frame sizes FX and GX, external SIMOVERT MASTERDRIVES brake units and the appropriate brake resistors can be used (see Catalog DA 65.10).

Gland plate

Gland plates are available for inverters of frame sizes A, B and C. In frame sizes D onwards, the gland plates are integrated.

The gland plate enables the shields of the power and control cables to be terminated ensuring optimum EMC performance.

Technical data

LC filter

Mains voltage		3 AC 380 V to 480 V	3 AC 500 V to 600 V
Current (at 40 °C/50 °C)			
For frame size A (0.37 to 1.5 kW)		4.5 A/4.1 A	–
For frame size B (2.2 to 4 kW)		11.2 A/10.2 A	–
For frame size C (0.75 to 4 kW)		–	9.0 A/6.1 A
For frame size C (5.5 to 11 kW)		32.6 A/29.7 A	22.4 A/17 A
For frame size D (15 kW)		38.8 A/32 A	27.5 A/22 A
For frame size D (18.5 kW)		32.6 A/38 A	22.4 A/27 A
For frame size D (22 kW)		63.2 A/45 A	41.8 A/32 A
For frame size E (30 kW)		76.5 A/62 A	53 A/41 A
For frame size E (37 kW)		112.2 A/90 A	63.2 A/52 A
For frame size F (45 kW)		112.2 A/90 A	78.5 A/62 A
For frame size F (55 kW)		147.9 A/110 A	101 A/77 A
For frame size F (75 kW)		181.6 A/145 A	127.5 A/99 A
Limiting of motor overvoltage		≤ 1078 V	
dV/dt limiting		≤ 500 V/μs	
Pulse frequency		4 kHz	
Max. motor frequency		150 Hz	
Max. permissible motor cable lengths	Shielded Unshielded	200 m 300 m	
Insulation strength		Overvoltage category III to VDE 0110	
Electromagnetic compatibility		Up to 200 m motor cable length with emissions to Class A according to EN 55 011 in conjunction with filtered inverters and unshielded cables	
Conformity		CE according to the low-voltage directive 73/23/EEC	
Approvals		UL available soon	
Strain resistance		EN 60 068-2-31	
Humidity		95 % humidity, non-condensing	
Degree of protection	Frame sizes A to C Frame sizes D to F	IP20 (to EN 60 529) IP00 / IP20 (to EN 60 529 with terminal covers)	
Insulation class		H (180 °C)	
Temperature range	Operation Storage	–10 °C to +40 °C (+14 °F to +104 °F) to +50 °C (to +122 °F) –25 °C to +70 °C (–13 °F to +158 °F)	
Installation altitude	Frame sizes A to C Frame sizes D to F:	Up to 2000 m: 100 % P _n 2000 to 4000 m: 62.5 % P _n Up to 1000 m: 100 % P _n 1000 to 4000 m: 12.5 % derating for each 1000 m	
Mounting position		Vertical	
Ventilation clearances	Top Bottom Side	100 mm 100 mm 100 mm	
Connection system	Input, litz wire or terminal Output, terminals	1U1, 1V1, 1W1 1U2, 1V2, 1W2	
Torque for conductor connections	Frame sizes A to C Frame sizes D to F	Terminal cross-section	Torque
		–	1.5 Nm to 1.8 Nm
		16 mm ²	2.0 Nm to 4.0 Nm
		35 mm ²	2.5 Nm to 5.0 Nm
		50 mm ²	3.0 Nm to 6.0 Nm
		95 mm ²	6.0 Nm to 12.0 Nm
		150 mm ²	10.0 Nm to 20.0 Nm
Weight, approx.	for frame size A for frame size B for frame size C for frame size D for frame size E for frame size F	7 kg 11 kg 8.5 kg to 29 kg 21 kg to 42 kg 49.5 kg to 67 kg 67 kg to 125.5 kg	

Max. permissible cable lengths from the motor to the inverter when using output chokes

The following table shows the maximum permissible cable lengths from the motor to the inverter when using output chokes.

Frame size (FS)	Output choke Type	Max. permissible motor cable lengths (shielded/unshielded) for a mains voltage of			
		200 V to 240 V ± 10 %	380 V to 400 V ± 10 %	401 V to 480 V ± 10 %	500 V to 600 V ± 10 %
A	6SE6400-3TC00-4AD3	200 m/300 m	–	–	–
A	6SE6400-3TC00-4AD2	200 m/300 m	150 m/225 m	100 m/150 m	–
B	6SE6400-3TC01-0BD3	200 m/300 m	150 m/225 m	100 m/150 m	–
C	6SE6400-3TC03-2CD3	200 m/300 m	200 m/300 m	100 m/150 m	–
C	6SE6400-3TC01-8CE3	–	–	–	100 m/150 m
D to F	6SE6400-3TC.	200 m/300 m	200 m/300 m	200 m/300 m	200 m/300 m
FX/GX	Available soon				




Options

Variant dependent options

Selection and ordering data

The options listed here (filters, chokes, brake resistors, gland plates, fuses and circuit-breakers) must be selected to match the respective inverter.

The inverter and the associated options have the same voltage ratings.

All options are certified to , except fuses. *) Must be used in combination with a line commutating choke.
The 3NE1 fuses are -listed (equivalent to ).

Mains voltage	Output		Inverter without filter	Order No. of the options		
	kW	hp		EMC filter, Class A	EMC filter, Class B	LC filter
1 AC 200 V to 240 V	0.12	0.16	6SE6440-2UC11-2AA1	–	6SE6400-2FL01-0AB0	–
	0.25	0.33	6SE6440-2UC12-5AA1	–	with low leakage currents	–
	0.37	0.50	6SE6440-2UC13-7AA1	–	–	–
	0.55	0.75	6SE6440-2UC15-5AA1	–	–	–
	0.75	1.0	6SE6440-2UC17-5AA1	–	–	–
	1.1	1.5	6SE6440-2UC21-1BA1	–	6SE6400-2FL02-6BB0	–
	1.5	2.0	6SE6440-2UC21-5BA1	–	with low leakage currents	–
	2.2	3.0	6SE6440-2UC22-2BA1	–	–	–
	3.0	4.0	6SE6440-2UC23-0CA1	–	–	–
	3 AC 200 V to 240 V	0.12	0.16	6SE6440-2UC11-2AA1	6SE6400-2FA00-6AD0	6SE6400-2FB00-6AD0
0.25		0.33	6SE6440-2UC12-5AA1	–	–	–
0.37		0.50	6SE6440-2UC13-7AA1	–	–	–
0.55		0.75	6SE6440-2UC15-5AA1	–	–	–
0.75		1.0	6SE6440-2UC17-5AA1	–	–	–
1.1		1.5	6SE6440-2UC21-1BA1	6SE6400-2FA01-4BC0	6SE6400-2FB01-4BC0	–
1.5		2.0	6SE6440-2UC21-5BA1	–	–	–
2.2		3.0	6SE6440-2UC22-2BA1	–	–	–
3.0		4.0	6SE6440-2UC23-0CA1	–	–	–
4.0		5.0	6SE6440-2UC24-0CA1	–	–	–
5.5		7.5	6SE6440-2UC25-5CA1	–	–	–
7.5		10	6SE6440-2UC27-5DA1	–	–	–
11.0		15	6SE6440-2UC31-1DA1	–	–	–
15.0		20	6SE6440-2UC31-5DA1	–	–	–
18.5		25	6SE6440-2UC31-8EA1	–	–	–
22		30	6SE6440-2UC32-2EA1	–	–	–
30		40	6SE6440-2UC33-0FA1	–	–	–
37		50	6SE6440-2UC33-7FA1	–	–	–
45	60	6SE6440-2UC34-5FA1	–	–	–	
3 AC 380 V to 480 V	0.37	0.50	6SE6440-2UD13-7AA1	6SE6400-2FA00-6AD0	6SE6400-2FB00-6AD0	6SE6400-3TD00-4AD0
	0.55	0.75	6SE6440-2UD15-5AA1	–	–	–
	0.75	1.0	6SE6440-2UD17-5AA1	–	–	–
	1.1	1.5	6SE6440-2UD21-1AA1	–	–	–
	1.5	2.0	6SE6440-2UD21-5AA1	–	–	–
	2.2	3.0	6SE6440-2UD22-2BA1	–	–	6SE6400-3TD01-0BD0
	3.0	4.0	6SE6440-2UD23-0BA1	–	–	–
	4.0	5.0	6SE6440-2UD24-0BA1	–	–	–
	5.5	7.5	6SE6440-2UD25-5CA1	–	–	6SE6400-3TD03-2CD0
	7.5	10	6SE6440-2UD27-5CA1	–	–	–
	11.0	15	6SE6440-2UD31-1CA1	–	–	–
	15.0	20	6SE6440-2UD31-5DA1	–	EMC filter, Class B, available from Schaffner	6SE6400-3TD03-7DD0
	18.5	25	6SE6440-2UD31-8DA1	–	–	6SE6400-3TD04-8DD0
	22	30	6SE6440-2UD32-2DA1	–	–	6SE6400-3TD06-1DD0
	30	40	6SE6440-2UD33-0EA1	–	–	6SE6400-3TD07-2ED0
	37	50	6SE6440-2UD33-7EA1	–	–	6SE6400-3TD11-5FD0
	45	60	6SE6440-2UD34-5FA1	–	–	–
	55	75	6SE6440-2UD35-5FA1	–	–	6SE6400-3TD15-0FD0
75	100	6SE6440-2UD37-5FA1	–	–	6SE6400-3TD18-0FD0	
90	125	6SE6440-2UD38-8FA1	6SL3000-0BE32-5AA0 *)	–	Available soon	
110	150	6SE6440-2UD41-1FA1	6SL3000-0BE34-4AA0 *)	–	–	
132	200	6SE6440-2UD41-3GA1	–	–	–	
160	250	6SE6440-2UD41-6GA1	–	–	–	
200	300	6SE6440-2UD42-0GA1	6SL3000-0BE36-0AA0 *)	–	–	
3 AC 500 V to 600 V	0.75	1.0	6SE6440-2UE17-5CA1	–	–	6SE6400-3TD01-0CE0
	1.5	2.0	6SE6440-2UE21-5CA1	–	–	–
	2.2	3.0	6SE6440-2UE22-2CA1	–	–	–
	4.0	5.0	6SE6440-2UE24-0CA1	–	–	–
	5.5	7.5	6SE6440-2UE25-5CA1	–	–	6SE6400-3TD02-3CE0
	7.5	10	6SE6440-2UE27-5CA1	–	–	–
	11.0	15	6SE6440-2UE31-1CA1	–	–	–
	15.0	20	6SE6440-2UE31-5DA1	–	–	6SE6400-3TD02-3DE0
	18.5	25	6SE6440-2UE31-8DA1	–	–	6SE6400-3TD03-2DE0
	22	30	6SE6440-2UE32-2DA1	–	–	6SE6400-3TD03-7DE0
	30	40	6SE6440-2UE33-0EA1	–	–	6SE6400-3TD04-8EE0
	37	50	6SE6440-2UE33-7EA1	–	–	6SE6400-3TD06-1EE0
	45	60	6SE6440-2UE34-5FA1	–	–	6SE6400-3TD07-1FE0
	55	75	6SE6440-2UE35-5FA1	–	–	6SE6400-3TD10-0FE0
	75	100	6SE6440-2UE37-5FA1	–	–	6SE6400-3TD11-5FE0

Selection and ordering data (continued)

Mains voltage	Output		Inverter without filter	Order No. of the options		
	kW	hp		Line commutating choke	Output choke	Brake resistors
1 AC 200 V to 240 V	0.12	0.16	6SE6440-2UC11-2AA1	6SE6400-3CC00-4AB3	6SE6400-3TC00-4AD3	6SE6400-4BC05-0AA0
	0.25	0.33	6SE6440-2UC12-5AA1			
	0.37	0.50	6SE6440-2UC13-7AA1	6SE6400-3CC01-0AB3		
	0.55	0.75	6SE6440-2UC15-5AA1			
	0.75	1.0	6SE6440-2UC17-5AA1			
	1.1	1.5	6SE6440-2UC21-1BA1	6SE6400-3CC02-6BB3	6SE6400-3TC01-0BD3	6SE6400-4BC11-2BA0
	1.5	2.0	6SE6440-2UC21-5BA1			
	2.2	3.0	6SE6440-2UC22-2BA1			
	3.0	4.0	6SE6440-2UC23-0CA1	6SE6400-3CC03-5CB3	6SE6400-3TC03-2CD3	6SE6400-4BC12-5CA0
	3.0	4.0	6SE6440-2UC11-2AA1	6SE6400-3CC00-3AC3	6SE6400-3TC00-4AD3	6SE6400-4BC05-0AA0
3 AC 200 V to 240 V	0.25	0.33	6SE6440-2UC12-5AA1			
	0.37	0.50	6SE6440-2UC13-7AA1	6SE6400-3CC00-5AC3		
	0.55	0.75	6SE6440-2UC15-5AA1			
	0.75	1.0	6SE6440-2UC17-5AA1			
	1.1	1.5	6SE6440-2UC21-1BA1	6SE6400-3CC00-8BC3	6SE6400-3TC01-0BD3	6SE6400-4BC11-2BA0
	1.5	2.0	6SE6440-2UC21-5BA1	6SE6400-3CC01-4BD3		
	2.2	3.0	6SE6440-2UC22-2BA1			
	3.0	4.0	6SE6440-2UC23-0CA1	6SE6400-3CC01-7CC3	6SE6400-3TC03-2CD3	6SE6400-4BC12-5CA0
	4.0	5.0	6SE6440-2UC24-0CA1	6SE6400-3CC03-5CD3		6SE6400-4BC13-0CA0
	5.5	7.5	6SE6440-2UC25-5CA1			
	7.5	10	6SE6440-2UC27-5DA1	6SE6400-3CC05-2DD0	6SE6400-3TC05-4DD0	6SE6400-4BC18-0DA0
	11.0	15	6SE6440-2UC31-1DA1			
	15.0	20	6SE6440-2UC31-5DA1			
	18.5	25	6SE6440-2UC31-8EA1	6SE6400-3CC08-8EC0	6SE6400-3TC08-0ED0	6SE6400-4BC21-2EA0
	22	30	6SE6440-2UC32-2EA1			
30	40	6SE6440-2UC33-0FA1	6SE6400-3CC11-7FD0	6SE6400-3TC15-4FD0	6SE6400-4BC22-5FA0	
37	50	6SE6440-2UC33-7FA1				
45	60	6SE6440-2UC34-5FA1				
3 AC 380 V to 480 V	0.37	0.50	6SE6440-2UD13-7AA1	6SE6400-3CC00-2AD3	6SE6400-3TC00-4AD2	6SE6400-4BD11-0AA0
	0.55	0.75	6SE6440-2UD15-5AA1			
	0.75	1.0	6SE6440-2UD17-5AA1	6SE6400-3CC00-4AD3		
	1.1	1.5	6SE6440-2UD21-1AA1			
	1.5	2.0	6SE6440-2UD21-5AA1	6SE6400-3CC00-6AD3		
	2.2	3.0	6SE6440-2UD22-2BA1	6SE6400-3CC01-0BD3	6SE6400-3TC01-0BD3	6SE6400-4BD12-0BA0
	3.0	4.0	6SE6440-2UD23-0BA1			
	4.0	5.0	6SE6440-2UD24-0BA1	6SE6400-3CC01-4BD3		
	5.5	7.5	6SE6440-2UD25-5CA1	6SE6400-3CC02-2CD3	6SE6400-3TC03-2CD3	6SE6400-4BD16-5CA0
	7.5	10	6SE6440-2UD27-5CA1			
	11.0	15	6SE6440-2UD31-1CA1	6SE6400-3CC03-5CD3		
	15.0	20	6SE6440-2UD31-5DA1	6SE6400-3CC04-4DD0	6SE6400-3TC05-4DD0	6SE6400-4BD21-2DA0
	18.5	25	6SE6440-2UD31-8DA1		6SE6400-3TC03-8DD0	
	22	30	6SE6440-2UD32-2DA1	6SE6400-3CC05-2DD0	6SE6400-3TC05-4DD0	
	30	40	6SE6440-2UD33-0EA1	6SE6400-3CC08-3ED0	6SE6400-3TC08-0ED0	6SE6400-4BD22-2EA0
	37	50	6SE6440-2UD33-7EA1		6SE6400-3TC07-5ED0	
	45	60	6SE6440-2UD34-5FA1	6SE6400-3CC11-2FD0	6SE6400-3TC14-5FD0	6SE6400-4BD24-0FA0
	55	75	6SE6440-2UD35-5FA1		6SE6400-3TC15-4FD0	
	75	100	6SE6440-2UD37-5FA1	6SE6400-3CC11-7FD0	6SE6400-3TC14-5FD0	
	90	125	6SE6440-2UD38-8FA1	6SL3000-0CE32-3AA0	Available soon	-
110	150	6SE6440-2UD41-1FA1	6SL3000-0CE32-8AA0		-	
132	200	6SE6440-2UD41-3GA1	6SL3000-0CE33-3AA0		-	
160	250	6SE6440-2UD41-6GA1	6SL3000-0CE35-1AA0		-	
200	300	6SE6440-2UD42-0GA1			-	
3 AC 500 V to 600 V	0.75	1.0	6SE6440-2UE17-5CA1	6SE6400-3CC00-4CE3	6SE6400-3TC01-8CE3	6SE6400-4BE14-5CA0
	1.5	2.0	6SE6440-2UE21-5CA1			
	2.2	3.0	6SE6440-2UE22-2CA1	6SE6400-3CC00-8CE3		
	4.0	5.0	6SE6440-2UE24-0CA1			
	5.5	7.5	6SE6440-2UE25-5CA1	6SE6400-3CC02-4CE3		
	7.5	10	6SE6440-2UE27-5CA1			6SE6400-4BE16-5CA0
	11.0	15	6SE6440-2UE31-1CA1			
	15.0	20	6SE6440-2UE31-5DA1	6SE6400-3CC04-4DD0	6SE6400-3TC03-2DE0	6SE6400-4BE21-3DA0
	18.5	25	6SE6440-2UE31-8DA1			
	22	30	6SE6440-2UE32-2DA1			
	30	40	6SE6440-2UE33-0EA1	6SE6400-3CC08-3ED0	6SE6400-3TC06-2FE0	6SE6400-4BE21-8EA0
	37	50	6SE6440-2UE33-7EA1			
	45	60	6SE6440-2UE34-5FA1	6SE6400-3CC11-2FD0		6SE6400-4BE24-2FA0
	55	75	6SE6440-2UE35-5FA1		6SE6400-3TC08-8FE0	
75	100	6SE6440-2UE37-5FA1				

Options Variant dependent options

Selection and ordering data (continued)

● Use in America requires
Ⓢ-listed fuses such as
the Class NON range
from Bussmann.

Mains voltage	Output		Inverter without filter	Order No. of options Gland plate	Fuses (see LV 10)		Circuit-breaker (see Catalog LV 10)
	kW	hp			3NA3	3NE1 (Ⓢ)	
1 AC 200 V to 240 V	0.12	0.16	6SE6440-2UC11-2AA1	6SE6400-0GP00-0AA0	3NA3803	●	3RV1021-1EA10
	0.25	0.33	6SE6440-2UC12-5AA1				3RV1021-1HA10
	0.37	0.50	6SE6440-2UC13-7AA1				3RV1021-1JA10
	0.55	0.75	6SE6440-2UC15-5AA1		3NA3805		3RV1021-1KA10
	0.75	1.0	6SE6440-2UC17-5AA1				3RV1021-4AA10
	1.1	1.5	6SE6440-2UC21-1BA1	6SE6400-0GP00-0BA0	3NA3807		3RV1021-4DA10
	1.5	2.0	6SE6440-2UC21-5BA1			3RV1031-4EA10	
	2.2	3.0	6SE6440-2UC22-2BA1		3NA3812		3RV1031-4FA10
	3.0	4.0	6SE6440-2UC23-0CA1	6SE6400-0GP00-0CA0	3NA3817		3RV1021-4JA10
	3 AC 200 V to 240 V	0.12	0.16	6SE6440-2UC11-2AA1	6SE6400-0GP00-0AA0	3NA3803	●
0.25		0.33	6SE6440-2UC12-5AA1	3RV1021-1DA10			
0.37		0.50	6SE6440-2UC13-7AA1	3RV1021-1FA10			
0.55		0.75	6SE6440-2UC15-5AA1		3NA3805		3RV1021-1GA10
0.75		1.0	6SE6440-2UC17-5AA1				3RV1021-1HA10
1.1		1.5	6SE6440-2UC21-1BA1	6SE6400-0GP00-0BA0	3NA3807		3RV1021-1KA10
1.5		2.0	6SE6440-2UC21-5BA1			3RV1021-4AA10	
2.2		3.0	6SE6440-2UC22-2BA1		3NA3810		3RV1021-4CA10
3.0		4.0	6SE6440-2UC23-0CA1	6SE6400-0GP00-0CA0	3NA3812		3RV1031-4EA10
4.0		5.0	6SE6440-2UC24-0CA1			3RV1031-4FA10	
5.5		7.5	6SE6440-2UC25-5CA1		3NA3814		3RV1031-4HA10
7.5		10	6SE6440-2UC27-5DA1	Integrated as standard	3NA3820	3NE1817-0	3RV1042-4JA10
11.0		15	6SE6440-2UC31-1DA1		3NA3824	3NE1820-0	3RV1042-4LA10
15.0		20	6SE6440-2UC31-5DA1				3VL1712-..DD33-....
18.5		25	6SE6440-2UC31-8EA1		3NA3830	3NE1021-0	
22		30	6SE6440-2UC32-2EA1		3NA3832	3NE1022-0	3VL1716-..DD33-....
30		40	6SE6440-2UC33-0FA1		3NA3140	3NE1225-0	3VL3725-..DC36-....
37		50	6SE6440-2UC33-7FA1		3NA3142	3NE1225-0	3VL4731-..DC36-....
45		60	6SE6440-2UC34-5FA1		3NA3144	3NE1227-0	
3 AC 380 V to 480 V	0.37	0.50	6SE6440-2UD13-7AA1	6SE6400-0GP00-0AA0	3NA3803	●	3RV1021-1CA10
	0.55	0.75	6SE6440-2UD15-5AA1				3RV1021-1DA10
	0.75	1.0	6SE6440-2UD17-5AA1				3RV1021-1FA10
	1.1	1.5	6SE6440-2UD21-1AA1				3RV1021-1GA10
	1.5	2.0	6SE6440-2UD21-5AA1				3RV1021-1JA10
	2.2	3.0	6SE6440-2UD22-2BA1	6SE6400-0GP00-0BA0	3NA3805		3RV1021-1KA10
	3.0	4.0	6SE6440-2UD23-0BA1			3RV1021-4AA10	
	4.0	5.0	6SE6440-2UD24-0BA1		3NA3807		3RV1021-4BA10
	5.5	7.5	6SE6440-2UD25-5CA1	6SE6400-0GP00-0CA0	3NA3812		3RV1031-4EA10
	7.5	10	6SE6440-2UD27-5CA1			3RV1031-4FA10	
	11.0	15	6SE6440-2UD31-1CA1		3NA3814		3RV1031-4HA10
	15.0	20	6SE6440-2UD31-5DA1	Integrated as standard	3NA3820	3NE1817-0	3RV1042-4KA10
	18.5	25	6SE6440-2UD31-8DA1		3NA3822	3NE1818-0	
	22	30	6SE6440-2UD32-2DA1		3NA3824	3NE1820-0	3RV1042-4MA10
	30	40	6SE6440-2UD33-0EA1		3NA3830	3NE1021-0	3VL1712-..DD33-....
	37	50	6SE6440-2UD33-7EA1		3NA3832	3NE1022-0	3VL1716-..DD33-....
	45	60	6SE6440-2UD34-5FA1		3NA3836	3NE1224-0	3VL3720-..DC36-....
	55	75	6SE6440-2UD35-5FA1		3NA3140	3NE1225-0	3VL3725-..DC36-....
	75	100	6SE6440-2UD37-5FA1		3NA3144	3NE1227-0	3VL4731-..DC36-....
	90	125	6SE6440-2UD38-8FA1		-		On request
110	150	6SE6440-2UD41-1FA1		-	3NE1230-0		
132	200	6SE6440-2UD41-3GA1		-	3NE1332-0		
160	250	6SE6440-2UD41-6GA1		-	3NE1333-0		
200	300	6SE6440-2UD42-0GA1		-	3NE1435-0		
3 AC 500 V to 600 V	0.75	1.0	6SE6440-2UE17-5CA1	6SE6400-0GP00-0CA0	3NA3803-6	●	3RV1021-1EA10
	1.5	2.0	6SE6440-2UE21-5CA1				3RV1021-1GA10
	2.2	3.0	6SE6440-2UE22-2CA1				3RV1021-1JA10
	4.0	5.0	6SE6440-2UE24-0CA1		3NA3805-6		3RV1021-4AA10
	5.5	7.5	6SE6440-2UE25-5CA1				3RV1021-4BA10
	7.5	10	6SE6440-2UE27-5CA1		3NA3810-6		3RV1021-4DA10
	11.0	15	6SE6440-2UE31-1CA1		3NA3812-6		3RV1031-4FA10
	15.0	20	6SE6440-2UE31-5DA1	Integrated as standard	3NA3814-6	3NE1803-0	3RV1031-4HA10
	18.5	25	6SE6440-2UE31-8DA1		3NA3820-6	3NE1817-0	3RV1042-4JA10
	22	30	6SE6440-2UE32-2DA1		3NA3822-6	3NE1818-0	3RV1042-4KA10
	30	40	6SE6440-2UE33-0EA1		3NA3824-6	3NE1820-0	3RV1042-4MA10
	37	50	6SE6440-2UE33-7EA1				3VL1712-..DD33-....
	45	60	6SE6440-2UE34-5FA1		3NA3132-6	3NE1022-0	3VL1716-..DD33-....
55	75	6SE6440-2UE35-5FA1		3NA3136-6	3NE1224-0	3VL3720-..DC36-....	
75	100	6SE6440-2UE37-5FA1				3VL3725-..DC36-....	

Selection and ordering data (continued)

Mains voltage	Output		Inverter with internal filter Class A	Order No. of options Additional EMC filter, Class B	LC filter	Line commutating choke
	kW	hp				
1 AC 200 V to 240 V	0.12	0.16	6SE6440-2AB11-2AA1	6SE6400-2FS01-0AB0	–	6SE6400-3CC00-4AB3
	0.25	0.33	6SE6440-2AB12-5AA1		–	
	0.37	0.50	6SE6440-2AB13-7AA1		–	
	0.55	0.75	6SE6440-2AB15-5AA1		–	
	0.75	1.0	6SE6440-2AB17-5AA1	–	–	–
	1.1	1.5	6SE6440-2AB21-1BA1	6SE6400-2FS02-6BB0	–	6SE6400-3CC02-6BB3
	1.5	2.0	6SE6440-2AB21-5BA1		–	
	2.2	3.0	6SE6440-2AB22-2BA1		–	
3.0	4.0	6SE6440-2AB23-0CA1	–			
3 AC 200 V to 240 V	3.0	4.0	6SE6440-2AC23-0CA1	6SE6400-2FS03-8CD0	–	6SE6400-3CC01-7CC3
	4.0	5.0	6SE6440-2AC24-0CA1		–	
	5.5	7.5	6SE6440-2AC25-5CA1		–	
3 AC 380 V to 480 V	2.2	3.0	6SE6440-2AD22-2BA1	6SE6400-2FS01-6BD0	6SE6400-3TD01-0BD0	6SE6400-3CC01-0BD3
	3.0	4.0	6SE6440-2AD23-0BA1			
	4.0	5.0	6SE6440-2AD24-0BA1			
	5.5	7.5	6SE6440-2AD25-5CA1	6SE6400-2FS03-8CD0	6SE6400-3TD03-2CD0	6SE6400-3CC02-2CD3
	7.5	10	6SE6440-2AD27-5CA1			
	11.0	15	6SE6440-2AD31-1CA1			
	15.0	20	6SE6440-2AD31-5DA1	An inverter without filter must be selected to satisfy the EMC requirements of Class B. In addition, an appropriate EMC filter of Class B from Schaffner is required.	6SE6400-3TD03-7DD0	6SE6400-3CC03-5CD3
	18.5	25	6SE6440-2AD31-8DA1		6SE6400-3TD04-8DD0	
	22	30	6SE6440-2AD32-2DA1		6SE6400-3TD06-1DD0	
	30	40	6SE6440-2AD33-0EA1		6SE6400-3TD07-2ED0	
	37	50	6SE6440-2AD33-7EA1		6SE6400-3TD11-5FD0	
	45	60	6SE6440-2AD34-5FA1		6SE6400-3CC11-2FD0	
	55	75	6SE6440-2AD35-5FA1		6SE6400-3TD15-0FD0	
75	100	6SE6440-2AD37-5FA1	6SE6400-3TD18-0FD0	6SE6400-3CC11-7FD0		

Mains voltage	Output		Inverter with internal filter Class A	Order No. of options Output choke	Brake resistors	Gland plate
	kW	hp				
1 AC 200 V to 240 V	0.12	0.16	6SE6440-2AB11-2AA1	6SE6400-3TC00-4AD3	6SE6400-4BC05-0AA0	6SE6400-0GP00-0AA0
	0.25	0.33	6SE6440-2AB12-5AA1			
	0.37	0.50	6SE6440-2AB13-7AA1			
	0.55	0.75	6SE6440-2AB15-5AA1			
	0.75	1.0	6SE6440-2AB17-5AA1	–	–	–
	1.1	1.5	6SE6440-2AB21-1BA1	6SE6400-3TC01-0BD3	6SE6400-4BC11-2BA0	6SE6400-0GP00-0BA0
	1.5	2.0	6SE6440-2AB21-5BA1			
	2.2	3.0	6SE6440-2AB22-2BA1			
3.0	4.0	6SE6440-2AB23-0CA1				
3 AC 200 V to 240 V	3.0	4.0	6SE6440-2AC23-0CA1	6SE6400-3TC03-2CD3	6SE6400-4BC12-5CA0	6SE6400-0GP00-0CA0
	4.0	5.0	6SE6440-2AC24-0CA1			
	5.5	7.5	6SE6440-2AC25-5CA1			
	7.5	10	6SE6440-2AD27-5CA1			
3 AC 380 V to 480 V	2.2	3.0	6SE6440-2AD22-2BA1	6SE6400-3TC01-0BD3	6SE6400-4BD12-0BA0	6SE6400-0GP00-0BA0
	3.0	4.0	6SE6440-2AD23-0BA1			
	4.0	5.0	6SE6440-2AD24-0BA1			
	5.5	7.5	6SE6440-2AD25-5CA1	6SE6400-3TC03-2CD3	6SE6400-4BD16-5CA0	6SE6400-0GP00-0CA0
	7.5	10	6SE6440-2AD27-5CA1			
	11.0	15	6SE6440-2AD31-1CA1			
	15.0	20	6SE6440-2AD31-5DA1	6SE6400-3TC05-4DD0	6SE6400-4BD21-2DA0	Integrated as standard
	18.5	25	6SE6440-2AD31-8DA1			
	22	30	6SE6440-2AD32-2DA1			
	30	40	6SE6440-2AD33-0EA1			
	37	50	6SE6440-2AD33-7EA1			
	45	60	6SE6440-2AD34-5FA1			
	55	75	6SE6440-2AD35-5FA1			
75	100	6SE6440-2AD37-5FA1	6SE6400-3TC14-5FD0	6SE6400-4BD24-0FA0		

Options Variant dependent options

Selection and ordering data (continued)

Mains voltage	Output		Inverter with internal filter Class A	Order No. of the options		Circuit-breaker (see Catalog LV 10)
	kW	hp		Fuses (see Catalog LV 10)	3NE1 (9A)	
1 AC 200 V to 240 V	0.12	0.16	6SE6440-2AB11-2AA1	3NA3803	●	3RV1021-1EA10
	0.25	0.33	6SE6440-2AB12-5AA1			3RV1021-1HA10
	0.37	0.50	6SE6440-2AB13-7AA1			3RV1021-1JA10
	0.55	0.75	6SE6440-2AB15-5AA1	3NA3805		3RV1021-1KA10
	0.75	1.0	6SE6440-2AB17-5AA1			3RV1021-4AA10
	1.1	1.5	6SE6440-2AB21-1BA1	3NA3807		3RV1021-4DA10
	1.5	2.0	6SE6440-2AB21-5BA1			3RV1031-4EA10
	2.2	3.0	6SE6440-2AB22-2BA1	3NA3812		3RV1031-4FA10
3 AC 200 V to 240 V	3.0	4.0	6SE6440-2AB23-0CA1	3NA3817		3RV1041-4JA10
	3.0	4.0	6SE6440-2AC23-0CA1	3NA3810	●	3RV1031-4EA10
	4.0	5.0	6SE6440-2AC24-0CA1	3NA3812		3RV1031-4FA10
3 AC 380 V to 480 V	5.5	7.5	6SE6440-2AC25-5CA1	3NA3814		3RV1031-4HA10
	2.2	3.0	6SE6440-2AD22-2BA1	3NA3805	●	3RV1021-1KA10
	3.0	4.0	6SE6440-2AD23-0BA1			3RV1021-4AA10
	4.0	5.0	6SE6440-2AD24-0BA1	3NA3807		3RV1021-4BA10
	5.5	7.5	6SE6440-2AD25-5CA1			3RV1031-4EA10
	7.5	10	6SE6440-2AD27-5CA1	3NA3812		3RV1031-4FA10
	11.0	15	6SE6440-2AD31-1CA1	3NA3814		3RV1031-4HA10
	15.0	20	6SE6440-2AD31-5DA1	3NA3820	3NE1817-0	3RV1042-4KA10
	18.5	25	6SE6440-2AD31-8DA1	3NA3822	3NE1818-0	
	22	30	6SE6440-2AD32-2DA1	3NA3824	3NE1820-0	3RV1042-4MA10
	30	40	6SE6440-2AD33-0EA1	3NA3830	3NE1021-0	3VL1712-.DD33-....
	37	50	6SE6440-2AD33-7EA1	3NA3832	3NE1022-0	3VL1716-.DD33-....
	45	60	6SE6440-2AD34-5FA1	3NA3836	3NE1224-0	3VL3720-.DC36-....
55	75	6SE6440-2AD35-5FA1	3NA3140	3NE1225-0	3VL3725-.DC36-....	
75	100	6SE6440-2AD37-5FA1	3NA3144	3NE1227-0	3VL4731-.DC36-....	

● Use in America requires ©-listed fuses such as the Class NON range from Bussmann.

Overview

Basic Operator Panel (BOP)

With the BOP, individual parameter settings can be made. Values and units are shown on a 5-digit display.



Basic Operator Panel (BOP)

A BOP can be used for several inverters. It can be directly mounted on the inverter or in a control cabinet door using a mounting kit.

Advanced Operator Panel (AOP)

The AOP enables MICROMASTER 440 parameter kits to be easily read and modified. In contrast to the BOP, the value and meaning of the parameters can be directly displayed as plain text in several languages by fast scrolling of the address.



Advanced Operator Panel (AOP)

The AOP is directly plugged into the inverter, or communicates with the latter through a door mounting kit. Together with the "AOP door mounting kit for multiple inverters", the AOP permits bus communication with up to 30 inverters at a transmission rate of 38 kbaud. (RS485, USS).

For servicing purposes, the AOP furthermore supports the download and upload of complete parameter kits.

Asian Advanced Operator Panel (AAOP)

The AAOP is the Chinese version of the AOP operator panel. It has an enhanced display and supports the operating languages of Chinese (simplified) and English.



Asian Advanced Operator Panel (AAOP)

PROFIBUS module

For a complete PROFIBUS connection with up to ≤ 12 Mbaud. Remote control of the inverter is possible with the PROFIBUS module. Remote control and operation at the inverter can be combined using an operator panel plugged onto the PROFIBUS module. The PROFIBUS module can be supplied by an external 24 V DC power supply and is thus also active when the inverter is disconnected from the power supply.

Connection by means of a 9-pin Sub-D connector (available as an option).

DeviceNet module

For networking the inverters to the DeviceNet fieldbus system widely used on the American market. A maximum transmission rate of 500 kbaud is possible. Remote control of the inverter is possible with the DeviceNet module. Remote control and operation at the inverter can be combined using an operator panel plugged onto the DeviceNet module.

The connection to the DeviceNet bus system is made using a 5-pin connector with terminal strip.

CANopen module

Using the CANopen communications module, an inverter can be linked to the CANopen fieldbus system and remote control is then possible.

Remote control and operation at the inverter can be combined using an operator panel plugged onto the CANopen module.

The module is connected to the bus system through a 9-pin Sub-D connector.

Pulse encoder evaluation module

The pulse encoder evaluation module permits direct connection of the most widely encountered digital pulse encoders to the inverter.

They offer the following functions:

- Zero speed at full load torque
- Extremely accurate speed control
- Increased dynamic response of speed and torque control.

This module can be used with HTL and TTL pulse encoders (High voltage Transistor Logic, 24 V and Transistor Logic, 5 V).

Options Variant independent options

Overview (continued)

Connection kit for PC to inverter

For controlling an inverter directly from a PC if the appropriate software has been installed (e.g. STARTER). Isolated RS-232 adapter module for reliable point-to-point connection to a PC. Includes a Sub-D connector and an RS-232 standard cable (3 m).

Connection kit for PC to AOP

For connecting a PC to an AOP or AAOP. Offline programming of inverters and archiving of parameter kits possible. Includes a desktop attachment kit for an AOP or AAOP, an RS-232 standard cable (3 m) with Sub-D connectors and a universal power supply unit.

Operator panel door mounting kit for single inverter

For mounting an operator panel in a control cabinet door. Degree of protection IP56. Contains a cable adapter module with screwless terminals for use with user's own RS-232 cables ¹⁾.

AOP door mounting kit for multiple inverters (USS)

For mounting an AOP or AAOP in a control cabinet door. Degree of protection IP56. The AOP or AAOP can communicate with several inverters by means of the RS-485 USS protocol. The 4-pin connecting cable from the AOP or AAOP to the RS-485 terminals of the inverter and to the 24 V user terminal strip is not included ²⁾.

- 1) A shielded cable of type Belden 8132 (28 AWG) is recommended. The maximum cable length is 5 m for RS-232.
- 2) A shielded cable of type Belden 8/32 (28 AWG) is recommended. The maximum cable length is 10 m for RS-485.

Start-up tools

- **STARTER**
Starter is graphic start-up software for guided start-up for MICROMASTER 410/420/430/440 frequency inverters under Windows NT/2000/XP Professional. Parameter lists can be read out, altered, stored, entered and printed.
- **DriveMonitor**
is a start-up software for list-oriented programming of frequency inverters. This program executes under Windows 95/98/NT/2000/XP Professional.

Both programs are included on the Docu CD which is provided with every inverter.

Selection and ordering data

The options listed here are suitable for all MICROMASTER 440 inverters.

Options	Order No.
Basic Operator Panel (BOP)	6SE6400-0BP00-0AA0
Advanced Operator Panel (AOP)	6SE6400-0AP00-0AA1
Asian Advanced Operator Panel (AAOP)	6SE6400-0AP00-0AB0
PROFIBUS module	6SE6400-1PB00-0AA0
DeviceNet module	6SE6400-1DN00-0AA0
CANopen module	6SE6400-1CB00-0AA0
Pulse encoder evaluation module	6SE6400-0EN00-0AA0
RS485/PROFIBUS bus connector	6GK1500-0FC00
Connection kit for PC to inverter	6SE6400-1PC00-0AA0
Connection kit for PC to AOP	6SE6400-0PA00-0AA0
Operator panel door mounting kit for single inverter	6SE6400-0PM00-0AA0
AOP door mounting kit for multiple inverters (USS)	6SE6400-0MD00-0AA0




บริษัท ไทนามิกส์ จำกัด
Tinamics Co., Ltd.

www.tinamics.com
e-mail : sales@tinamics.com

25/285 ถนนรามคำแหง 124 แขวงสะพานสูง เขตสะพานสูง กรุงเทพฯ 10240
25/285 RamKhamhaeng 124 Rd., Sapansoong, Sapansoong, Bangkok 10240
Tel : (+66)0 2728-2902, 0 2373-2734 Fax : (+66)0 2728-1779

Technical data

		PROFIBUS module 6SE6400-1PB00-0AA0	DeviceNet module 6SE6400-1DN00-0AA0
			
Size (height x width x depth)		161 mm x 73 mm x 46 mm	
Degree of protection		IP20	
Degree of pollution		2 to IEC 60664-1 (DIN VDE 0110/T1), no condensation permitted during operation	
Strain resistance		to IEC 60068-2-6 (if module is installed correctly)	
• Stationary	Deflection	0.15 mm in the frequency range of 10 Hz to 58 Hz	
	Acceleration	19.6 m/s ² in the frequency range of 58 Hz to 500 Hz	
• Transport	Deflection	3.5 mm in the frequency range of 5 Hz to 9 Hz	
	Acceleration	9.8 m/s ² in the frequency range of 9 Hz to 500 Hz	
Climatic category (during operation)		3K3 to IEC 60721-3-3	
Cooling method		Natural air cooling	
Permissible ambient or cooling agent temperature			
• Operation		-10 °C to +50 °C (+14 °F to +122 °F)	
• Storage and transport		-25 °C to +70 °C (-13 °F to +158 °F)	
Relative humidity (permissible humidity rating)			
• Operation		≤ 85 % (non-condensing)	
• Storage and transport		≤ 95 %	
Electromagnetic compatibility		Emission	
	Interference	to EN 55011 (1991) Class A to IEC 60801-3 and EN 61000-4-3	
Power supply		6.5 V ± 5 %, max. 300 mA, internal from inverter or 24 V ± 10 %, max. 350 mA, external	6.5 V ± 5 %, max. 300 mA internal from inverter or 24 V, max. 60 mA from DeviceNet-Bus
Output voltage		5 V ± 10 %, max. 100 mA, galvanically isolated supply • for terminating the serial interface bus or • for supplying the OLP (Optical Link Plug)	-
Data transmission rate		max. 12 Mbaud	125, 250 and 500 Kbaud




บริษัท ไทนาเมค จำกัด
Tinamics Co., Ltd.

www.tinamics.com
e-mail : sales@tinamics.com

25/285 ถนนรามคำแหง 124 แขวงสะพานสูง เขตสะพานสูง กรุงเทพฯ 10240
 25/285 RamKhamhaeng 124 Rd., Sapansoong, Sapansoong, Bangkok 10240
 Tel : (+66)0 2728-2902, 0 2373-2734 Fax : (+66)0 2728-1779

Options
Variant independent options

Technical data (continued)

		CANopen module 6SE6400-1CB00-0AA0	Pulse encoder evaluation module 6SE6400-0EN00-0AA0
			
Size (height x width x depth)		161 mm x 73 mm x 46 mm	161 mm x 73 mm x 42 mm
Degree of protection		IP20	
Degree of pollution		2 to IEC 60664-1 (DIN VDE 0110/T1), no condensation permitted during operation	
Strain resistance		to IEC 60068-2-6 (if module is installed correctly)	
• Stationary	Deflection	0.15 mm in the frequency range of 10 Hz to 58 Hz	
	Acceleration	19.6 m/s ² in the frequency range of >58 Hz to 500 Hz	
• Transport	Deflection	3.5 mm in the frequency range of 5 Hz to 9 Hz	
	Acceleration	9.8 m/s ² in the frequency range of 9 Hz to 500 Hz	
Climatic category (during operation)		3K3 to IEC 60721-3-3	
Cooling method		Natural air cooling	
Permissible ambient or cooling agent temperature			
• Operation		-10 °C to +50 °C (+14 °F to +122 °F)	-10 °C to +50 °C (+14 °F to +122 °F)
• Storage		-40 °C to +70 °C (-40 °F to +158 °F)	-20 °C to +70 °C (-14 °F to +158 °F)
• Transportation		-25 °C to +70 °C (-13 °F to +158 °F)	-20 °C to +70 °C (-14 °F to +158 °F)
Electromagnetic compatibility		to EN 55011 (1991) Class A	
	Emission	to IEC 60801-3 and EN 61000-4-3	
	Interference		
Relative humidity (permissible humidity rating)			
• Operation		≤ 85% (non-condensing)	
• Storage and transport		≤ 95%	
Power supply		The CAN bus is supplied from the inverter power supply	5 V ± 5%, 330 mA or 18 V non-regulated, 140 mA, short-circuit proof
Data transmission rate		10, 20, 50, 125, 250, 500, 800 kbaud and 1 Mbaud	-
Pulse frequency		-	max. 300 kHz

Selection and ordering data

Type of documentation	Language	Order No.
Docu pack , supplied with each inverter, containing CD-ROM ¹⁾ and Getting Started Guide ²⁾ (paper version)	Multilanguage	6SE6400-5AD00-1AP0
Operating instructions²⁾ (paper version)	German	6SE6400-5AW00-0AP0
	English	6SE6400-5AW00-0BP0
	French	6SE6400-5AW00-0DP0
	Italian	6SE6400-5AW00-0CP0
	Spanish	6SE6400-5AW00-0EP0
Parameter list²⁾ (paper version)	German	6SE6400-5BB00-0AP0
	English	6SE6400-5BB00-0BP0
	French	6SE6400-5BB00-0DP0
	Italian	6SE6400-5BB00-0CP0
	Spanish	6SE6400-5BB00-0EP0

1) The CD-ROM contains operating instructions, parameter list, commissioning tools STARTER and DriveMonitor, multilanguage

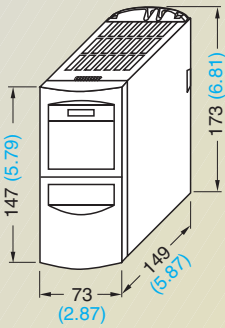
2) Available on the Internet at <http://www.siemens.com/micromaster>

Dimension drawings

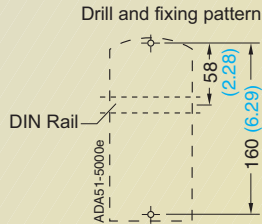
MICROMASTER 440 inverter

Frame size	1/3 AC 200 V to 240 V	3 AC 380 V to 480 V	3 AC 500 V to 600 V
A	0.12 kW to 0.75 kW	0.37 kW to 1.5 kW	–
B	1.1 kW to 2.2 kW	2.2 kW to 4 kW	–
C	3 kW to 5.5 kW	5.5 kW to 11 kW	0.75 kW to 11 kW

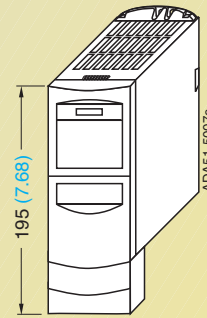
The specified outputs are valid for CT mode.



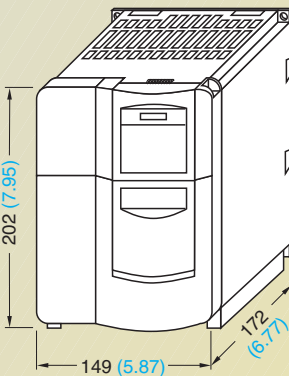
Inverter frame size A



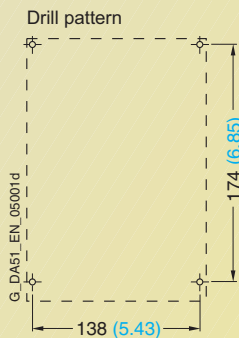
Fixing with
2 x M4 bolts, 2 x M4 nuts,
2 x M4 washers
or by snapping onto a rail
Tightening torque with washers fitted:
2.5 Nm
Ventilation clearance required
Top and bottom: 100 mm



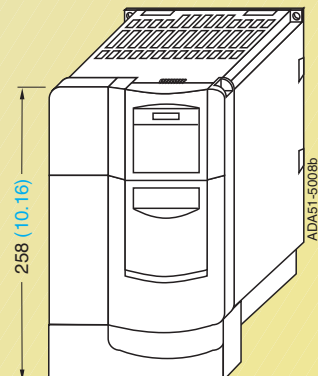
Inverter frame size A with gland plate



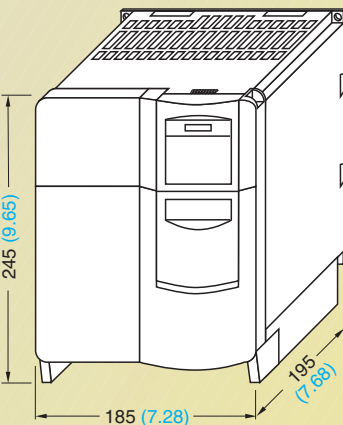
Inverter frame size B



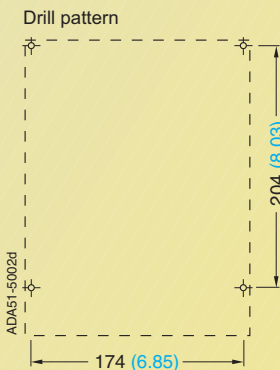
Fixing with
4 x M4 bolts, 4 x M4 nuts,
4 x M4 washers
Tightening torque with washers fitted:
2.5 Nm
Ventilation clearance required
Top and bottom: 100 mm



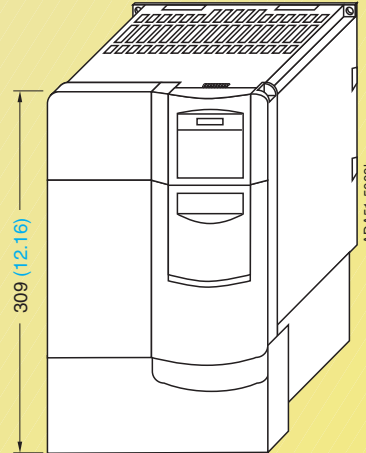
Inverter frame size B with gland plate



Inverter frame size C



Fixing with
4 x M5 bolts, 4 x M5 nuts,
4 x M5 washers
Tightening torque with washers fitted:
3.0 Nm
Ventilation clearance required
Top and bottom: 100 mm



Inverter frame size C with gland plate

With the communications module, the mounting depth increases by 23 mm (0.91 inches). If a pulse encoder evaluation module is mounted in addition, the installation depth increases by another 23 mm (0.91 inches).

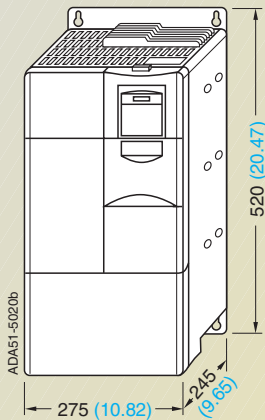
All dimensions in mm (values in brackets are in inches)

4

MICROMASTER 440 inverter (continued)

Frame size	3 AC 200 V to 240 V	3 AC 380 V to 480 V	3 AC 500 V to 600 V
D	7.5 kW to 15 kW	15 kW to 22 kW	15 kW to 22 kW
E	18.5 kW to 22 kW	30 kW to 37 kW	30 kW to 37 kW
F	30 kW to 45 kW	45 kW to 75 kW	45 kW to 75 kW

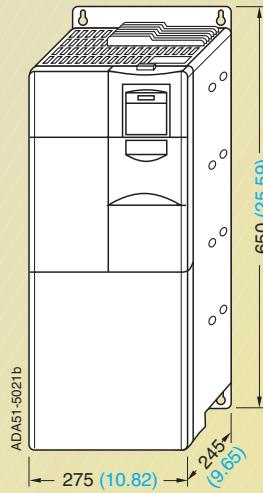
The specified outputs are valid for CT mode.



Inverter frame size D



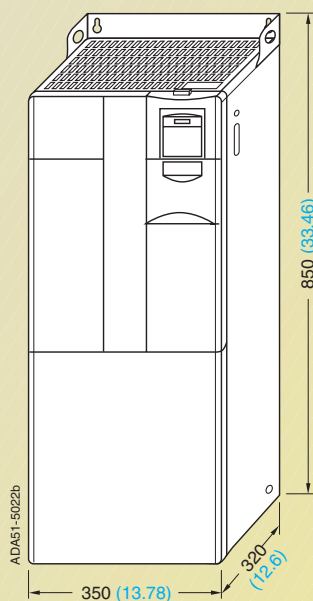
Fixing with
4 x M8 bolts, 4 x M8 nuts,
4 x M8 washers
Tightening torque with washers
fitted: 3.0 Nm
Ventilation clearance required
Top and bottom: 300 mm



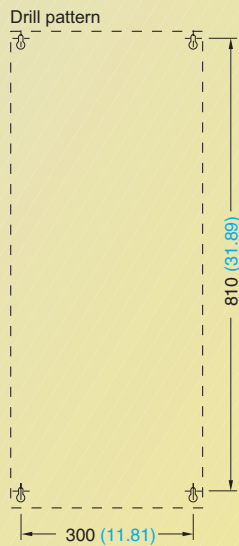
Inverter frame size E



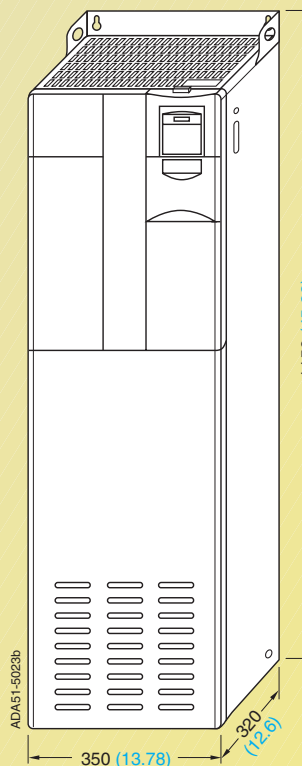
Fixing with
4 x M8 bolts, 4 x M8 nuts,
4 x M8 washers
Tightening torque with washers fitted:
3.0 Nm
Ventilation clearance required
Top and bottom: 300 mm



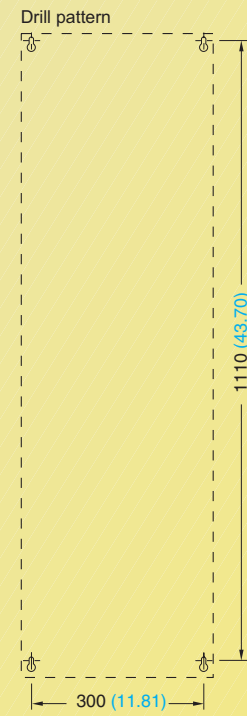
**Inverter frame size F
without filter**



Fixing with
4 x M8 bolts, 4 x M8 nuts,
4 x M8 washers
Tightening torque with washers
fitted: 3.0 Nm
Ventilation clearance required
Top and bottom: 350 mm



**Inverter frame size F
with filter**



Fixing with
4 x M8 bolts, 4 x M8 nuts,
4 x M8 washers
Tightening torque with washers
fitted: 3.0 Nm
Ventilation clearance required
Top and bottom: 350 mm

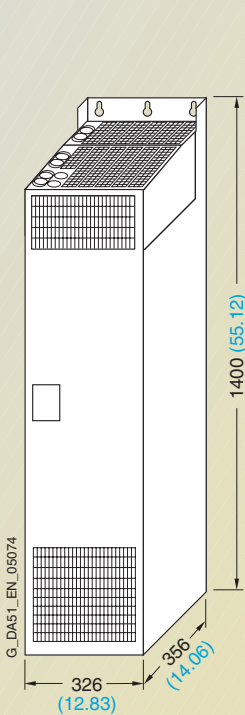
All dimensions in mm (values in brackets are in inches)

Dimension drawings

MICROMASTER 440 inverter (continued)

Frame size	3 AC 380 V to 480 V
FX	90 kW to 110 kW
GX	132 kW to 200 kW

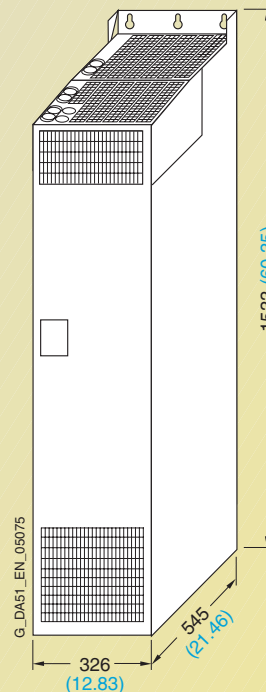
The specified outputs are valid for CT mode.



Inverter frame size FX



Fixing with
6 x M8 bolts
6 x M8 nuts
6 x M8 washers
Tightening torque
with washers
fitted: 13.0 Nm
Ventilation clearance
required:
at top: 250 mm
at bottom: 150 mm
in front: 40 mm



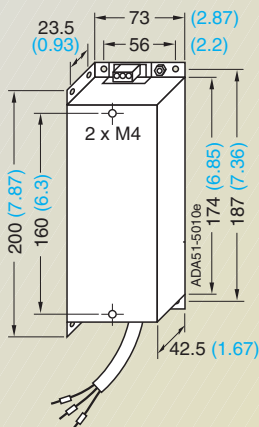
Inverter frame size GX



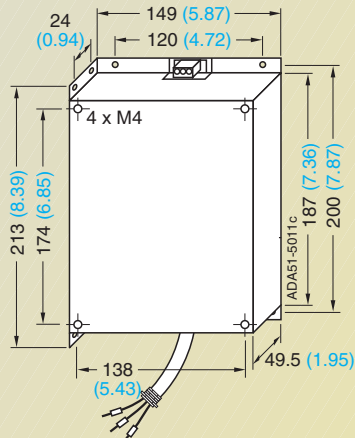
Fixing with
6 x M8 bolts
6 x M8 nuts
6 x M8 washers
Tightening torque
with washers
fitted: 13.0 Nm
Ventilation clearance
required:
at top: 250 mm
at bottom: 150 mm
in front: 50 mm

All dimensions in mm (values in brackets are in inches)

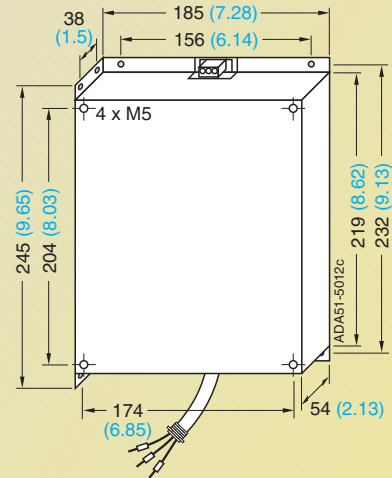
EMC filter



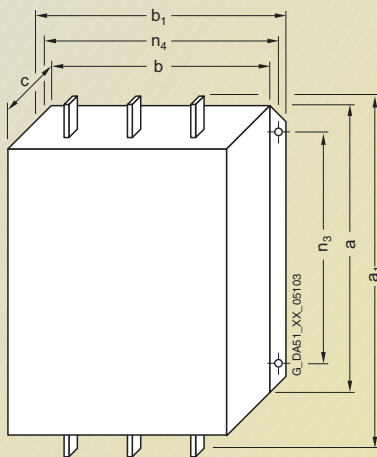
EMC filter for frame size **A**



For frame size **B**



For frame size **C**



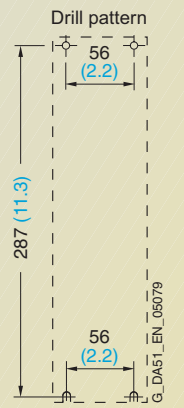
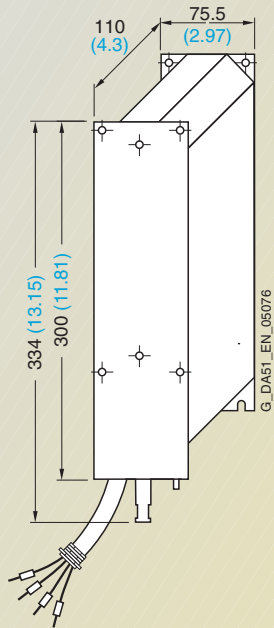
EMC filter Class A Type 6SL3000-	for inverter Frame size (FS)	Dimensions							Weight, approx kg
		a	a ₁	b	b ₁	c	n ₃	n ₄	
OBE32-5AA0	FX	270 (10.63)	360 (14.17)	200 (7.87)	240 (9.45)	116 (4.57)	210 (8.27)	220 (8.66)	12.3
OBE34-4AA0	GX/GX	270 (10.63)	360 (14.17)	200 (7.87)	240 (9.45)	116 (4.57)	210 (8.27)	220 (8.66)	12.3
OBE36-0AA0	GX	310 (12.2)	400 (15.75)	215 (8.46)	265 (10.43)	140 (5.51)	250 (9.84)	240 (9.45)	19.0

EMC filter for frame sizes **FX** and **GX**

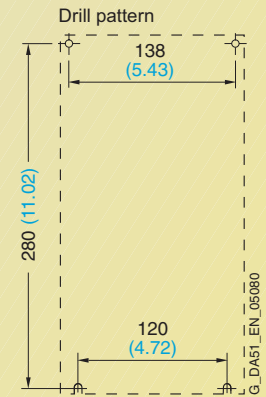
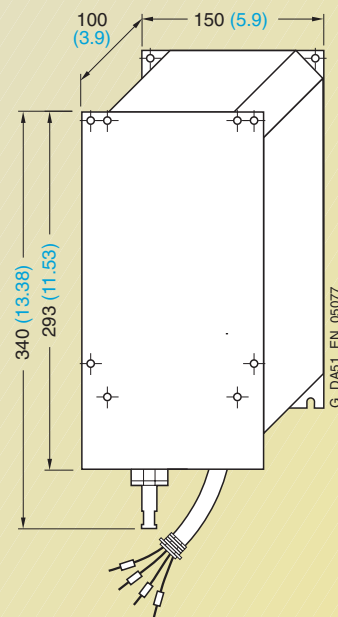
All dimensions in mm (values in brackets are in inches)

Dimension drawings

LC filter



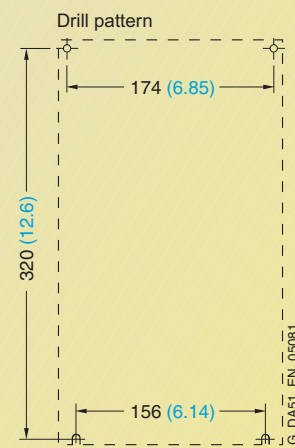
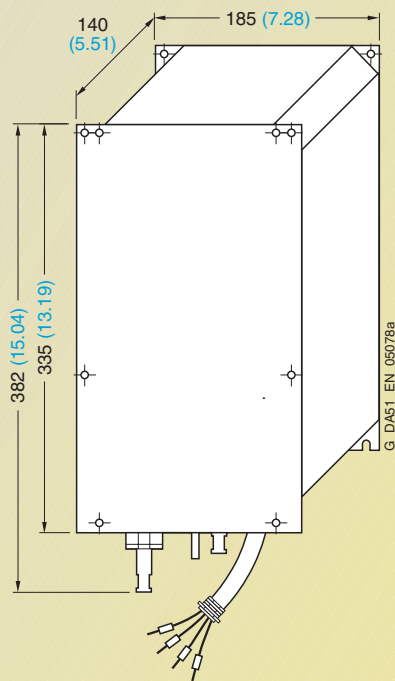
Fixing with M4 bolts



Fixing with M4 bolts

LC filter for frame size **A**

For frame size **B**

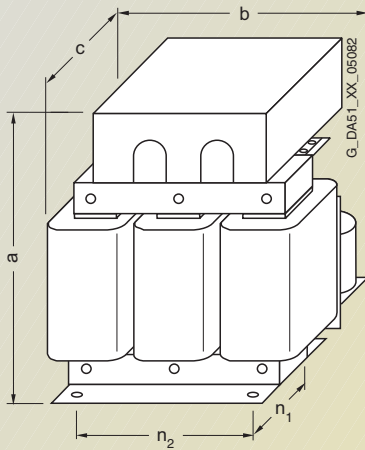


Fixing with M5 bolts

LC filter for frame size **C**

All dimensions in mm (values in brackets are in inches)

LC filter



Fixing with M10 bolts

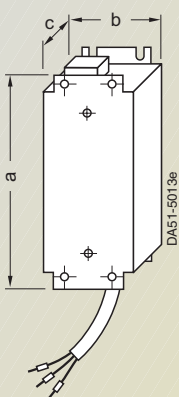
LC filter for frame sizes **D** to **F**

LC filter Type	for inverter Frame size (FS)	Dimensions				
		a	b	c	n ₁	n ₂
6SE6400-3TD03-7DD0	D	278 (10.94)	240 (9.45)	230 (9.06)	115 (4.53)	190 (7.48)
6SE6400-3TD04-8DD0	D	290 (11.42)	240 (9.45)	240 (9.45)	125 (4.92)	190 (7.48)
6SE6400-3TD06-1DD0	D	345 (13.58)	300 (11.81)	220 (8.66)	120 (4.72)	240 (9.45)
6SE6400-3TD02-3DE0	D	280 (11.02)	240 (9.45)	240 (9.45)	125 (4.92)	190 (7.48)
6SE6400-3TD03-2DE0	D	300 (11.81)	300 (11.81)	235 (9.25)	133 (5.24)	240 (9.45)
6SE6400-3TD03-7DE0	D	310 (12.2)	300 (11.81)	250 (9.84)	145 (5.71)	240 (9.45)
6SE6400-3TD07-2ED0	E	355 (13.98)	300 (11.81)	235 (9.25)	145 (5.71)	240 (9.45)
6SE6400-3TD04-8EE0	E	345 (13.58)	300 (11.81)	260 (10.24)	160 (6.3)	240 (9.45)
6SE6400-3TD06-1EE0	E	345 (13.58)	300 (11.81)	275 (10.83)	171 (6.73)	240 (9.45)
6SE6400-3TD11-5FD0	E/F	460 (18.11)	360 (14.17)	235 (9.25)	125 (4.92)	264 (10.39)
6SE6400-3TD15-0FD0	F	460 (18.11)	360 (14.17)	250 (9.84)	140 (5.51)	264 (10.39)
6SE6400-3TD18-0FD0	F	520 (20.47)	420 (16.54)	290 (11.42)	173 (6.81)	316 (12.44)
6SE6400-3TD07-1FE0	F	380 (14.96)	300 (11.81)	285 (11.22)	171 (6.73)	240 (9.45)
6SE6400-3TD10-0FE0	F	460 (18.11)	360 (14.17)	250 (9.84)	140 (5.11)	264 (10.39)
6SE6400-3TD11-5FE0	F	515 (20.28)	420 (16.54)	290 (11.42)	173 (6.81)	316 (12.44)

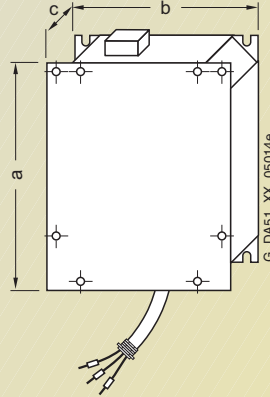
All dimensions in mm (values in brackets are in inches)

Dimension drawings

Line commutating chokes

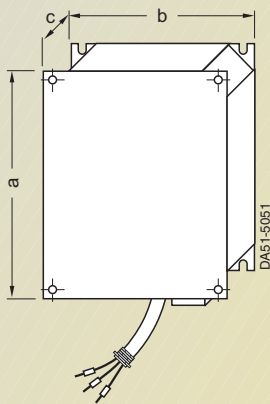


Line commutating choke for frame size **A**



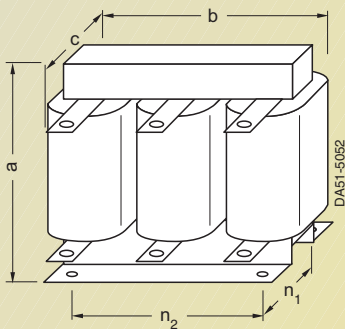
For frame sizes **B** and **C**

Line commutating choke for	Dimensions			Weight (max.) kg
	a	b	c	
Frame size A	200 (7.87)	75.5 (2.97)	50 (1.97)	0.8
Frame size B	213 (8.39)	150 (5.91)	50 (1.97)	1.3
Frame size C (380–480 V)	245 (9.65)	185 (7.28)	50 (1.97)	2.3
Frame size C (500–600 V, 0.75–1.5 kW)	245 (9.65)	185 (7.28)	50 (1.97)	4.4
Frame size C (500–600 V, 2.2–4 kW)	245 (9.65)	185 (7.28)	50 (1.97)	5.0
Frame size C (500–600 V, 5.5–11 kW)	245 (9.65)	185 (7.28)	80 (3.15)	6.8



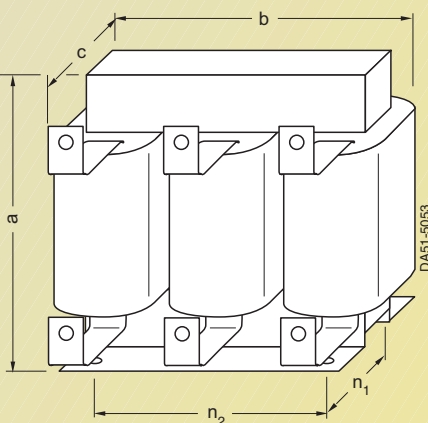
Line commutating choke for frame sizes **D** and **E**

Line commutating choke for	Dimensions			Weight (max.) kg
	a	b	c	
Frame size D	520 (20.47)	275 (10.83)	85 (3.35)	9.5
Frame size E	650 (25.59)	275 (10.83)	95 (3.74)	17.0



Line commutating choke for inverter frame size **F**

Line commutating choke Type	for inverter Frame size (FS)	Dimensions					Weight (max.) kg
		a	b	c	n ₁	n ₂	
6SE6400-3CC11-....	F	210 (8.27)	240 (9.45)	141 (5.55)	109 (4.29)	190 (7.48)	25.0

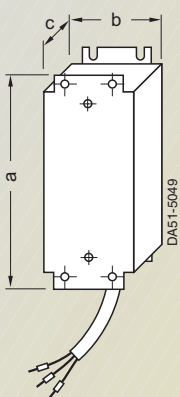


Line commutating choke for inverters of frame sizes **FX** and **GX**

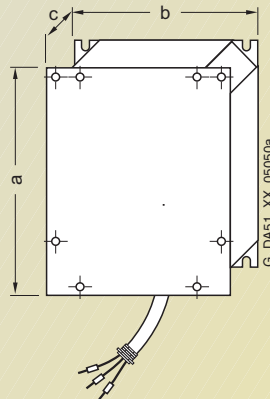
Line commutating choke Type	for inverter Frame size (FS)	Dimensions					Weight (max.) kg
		a	b	c	n ₁	n ₂	
0CE32-....	FX	248 (9.76)	255 (10.04)	203 (7.99)	101 (3.98)	200 (7.87)	24.0
0CE33-....	GX	248 (9.76)	255 (10.04)	203 (7.99)	101 (3.98)	200 (7.87)	25.0
0CE35-....	GX	269 (10.59)	275 (10.83)	210 (8.27)	118 (4.65)	224 (8.82)	35.0

All dimensions in mm (values in brackets are in inches)

Output chokes

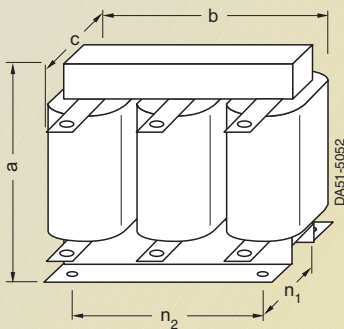


Output choke
for frame size **A**
6SE6400-3TC00-4AD2
6SE6400-3TC00-4AD3



For frame sizes **B** and **C**
6SE6400-3TC01-0BD3
6SE6400-3TC01-8CE3
6SE6400-3TC03-2CD3

Output choke Type 6SE6400-	Dimensions			Weight (max.) kg
	a	b	c	
3TC00-4AD2	200 (7.87)	75.5 (2.97)	110 (4.33)	1.95
3TC00-4AD3	200 (7.87)	75.5 (2.97)	50 (1.97)	0.8
3TC01-0BD3	213 (8.39)	150 (5.91)	70 (2.76)	3.4
3TC01-8CE3	245 (9.65)	185 (7.28)	150 (5.91)	9.6
3TC03-2CD3	245 (9.65)	185 (7.28)	80 (3.15)	5.6



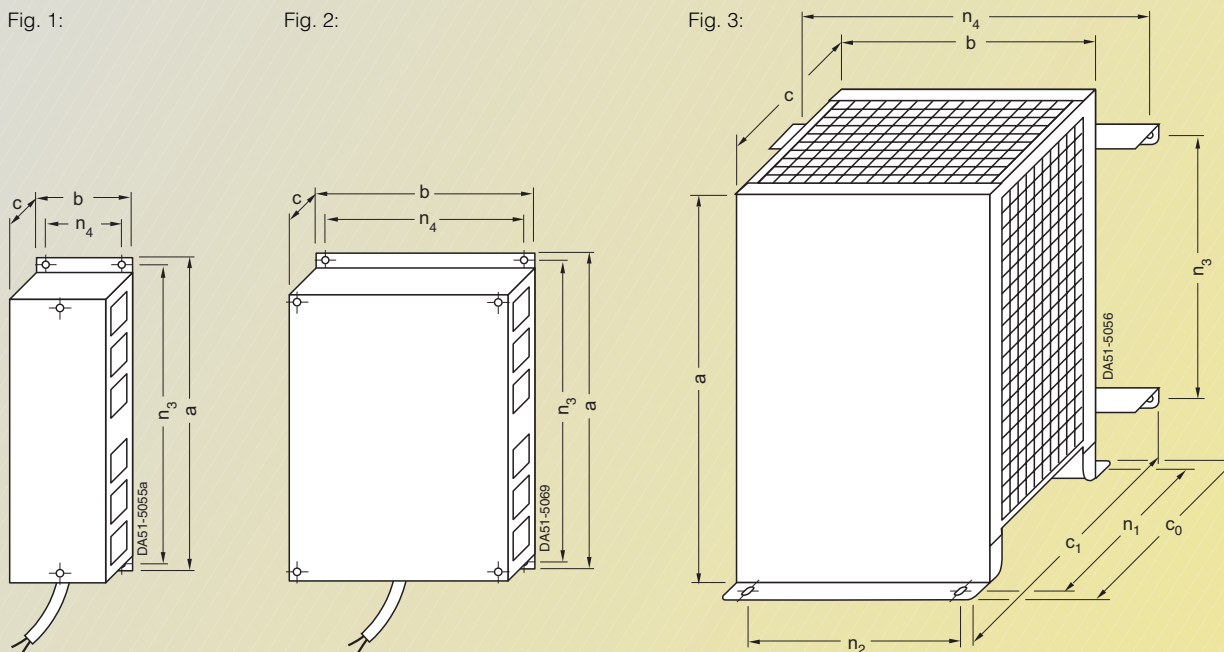
Output choke Type 6SE6400-	for inverter Frame size (FS)	Dimensions					Weight (max.)	
		a	b	c	to DIN 41 308		kg	
					n ₁	n ₂		
3TC03-2DE0	D	210 (8.27)	225 (8.86)	179 (7.05)	76 (2.99)	176 (6.93)	19.2	
3TC03-8DD0	D	210 (8.27)	225 (8.86)	179 (7.05)	76 (2.99)	176 (6.93)	19.1	
3TC05-4DD0	D	210 (8.27)	225 (8.86)	150 (5.91)	76 (2.99)	176 (6.93)	11.3	
3TC06-2FE0	F	269 (10.59)	300 (11.81)	220 (8.66)	100 (3.94)	224 (8.82)	37.2	
3TC07-5ED0	E	248 (9.76)	270 (10.63)	209 (8.23)	88 (3.46)	200 (7.87)	26.7	
3TC08-0ED0	E	210 (8.27)	225 (8.86)	150 (5.91)	76 (2.99)	176 (6.93)	12.2	
3TC08-8FE0	F	321 (12.64)	350 (13.78)	288 (11.34)	120 (4.72)	264 (10.39)	53.2	
3TC14-5FD0	F	321 (12.64)	350 (13.78)	288 (11.34)	120 (4.72)	264 (10.39)	55.9	
3TC15-4FD0	F	210 (8.27)	225 (8.86)	150 (5.91)	76 (2.99)	176 (6.93)	24.0	

Output chokes for inverters of frame sizes **D**, **E** and **F**

All dimensions in mm (values in brackets are in inches)

Dimension drawings

Brake resistors

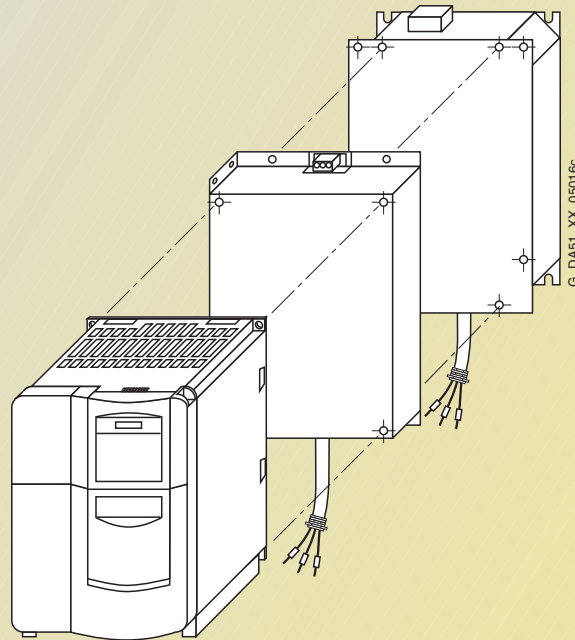


Brake resistors Type 6SE6400-	Resistor Ohm	for inverter Frame size (FS)	Figure No.	Dimensions					For floor mounting		For wall mounting		Weight (max.) kg
				a	b	c	c ₀	c ₁	n ₁	n ₂	n ₃	n ₄	
4BC05-0AA0	180	A	1	230 (9.06)	72 (2.83)	43.5 (1.71)	-	-	-	-	217 (8.54)	56 (2.20)	1.0
4BC11-2BA0	68	B	2	239 (9.41)	149 (5.87)	43.5 (1.71)	-	-	-	-	226 (8.90)	138 (5.43)	1.6
4BC12-5CA0	39	C	3	285 (11.22)	185 (7.28)	150 (5.91)	185 (7.28)	217 (8.54)	170 (6.69)	145 (5.71)	200 (7.87)	230 (9.06)	3.8
4BC13-0CA0	27	C	3	285 (11.22)	185 (7.28)	150 (5.91)	185 (7.28)	217 (8.54)	170 (6.69)	145 (5.71)	200 (7.87)	230 (9.06)	3.8
4BC18-0DA0	10	D	3	515 (20.28)	270 (10.63)	175 (6.89)	210 (8.27)	242 (9.53)	195 (7.68)	205 (8.07)	350 (13.78)	315 (12.40)	7.4
4BC21-2EA0	6.8	E	3	645 (25.39)	270 (10.63)	175 (6.89)	210 (8.27)	242 (9.53)	195 (7.68)	205 (8.07)	480 (18.90)	315 (12.40)	10.6
4BC22-5FA0	3.3	F	3	650 (25.59)	400 (15.75)	315 (12.40)	382 (15.04)	382 (15.04)	335 (13.19)	270 (10.63)	510 (20.08)	435 (17.13)	16.7
4BD11-0AA0	390	A	1	230 (9.06)	72 (2.83)	43.5 (1.71)	-	-	-	-	217 (8.54)	56 (2.20)	1.0
4BD12-0BA0	160	B	2	239 (9.41)	149 (5.87)	43.5 (1.71)	-	-	-	-	226 (8.90)	138 (5.43)	1.6
4BD16-5CA0	56	C	3	285 (11.22)	185 (7.28)	150 (5.91)	185 (7.28)	217 (8.54)	170 (6.69)	145 (5.71)	200 (7.87)	230 (9.06)	3.8
4BD21-2DA0	27	D	3	515 (20.28)	270 (10.63)	175 (6.89)	210 (8.27)	242 (9.53)	195 (7.68)	205 (8.07)	350 (13.78)	315 (12.40)	7.4
4BD22-2EA0	15	E	3	645 (25.39)	270 (10.63)	175 (6.89)	210 (8.27)	242 (9.53)	195 (7.68)	205 (8.07)	480 (18.90)	315 (12.40)	10.6
4BD24-0FA0	8.2	F	3	650 (25.59)	400 (15.75)	315 (12.40)	382 (15.04)	382 (15.04)	335 (13.19)	270 (10.63)	510 (20.08)	435 (17.13)	16.7
4BE14-5CA0	120	C	3	285 (11.22)	185 (7.28)	150 (5.91)	185 (7.28)	217 (8.54)	170 (6.69)	145 (5.71)	200 (7.87)	230 (9.06)	3.8
4BE16-5CA0	82	C	3	285 (11.22)	185 (7.28)	150 (5.91)	185 (7.28)	217 (8.54)	170 (6.69)	145 (5.71)	200 (7.87)	230 (9.06)	3.8
4BE21-3DA0	39	D	3	515 (20.28)	270 (10.63)	175 (6.89)	210 (8.27)	242 (9.53)	195 (7.68)	205 (8.07)	350 (13.78)	315 (12.40)	7.4
4BE21-8EA0	27	E	3	645 (25.39)	270 (10.63)	175 (6.89)	210 (8.27)	242 (9.53)	195 (7.68)	205 (8.07)	480 (18.90)	315 (12.40)	10.6
4BE24-2FA0	12	F	3	650 (25.59)	400 (15.75)	315 (12.40)	382 (15.04)	382 (15.04)	335 (13.19)	270 (10.63)	510 (20.08)	435 (17.13)	16.7

Brake resistors for inverters of frame sizes **A** to **F**

All dimensions in mm (values in brackets are in inches)

Assembly of inverter and options



Example:
Assembly of inverter,
filter and choke
If additional options are
required, they must be
mounted on the side.